

SH. 1
OF 1

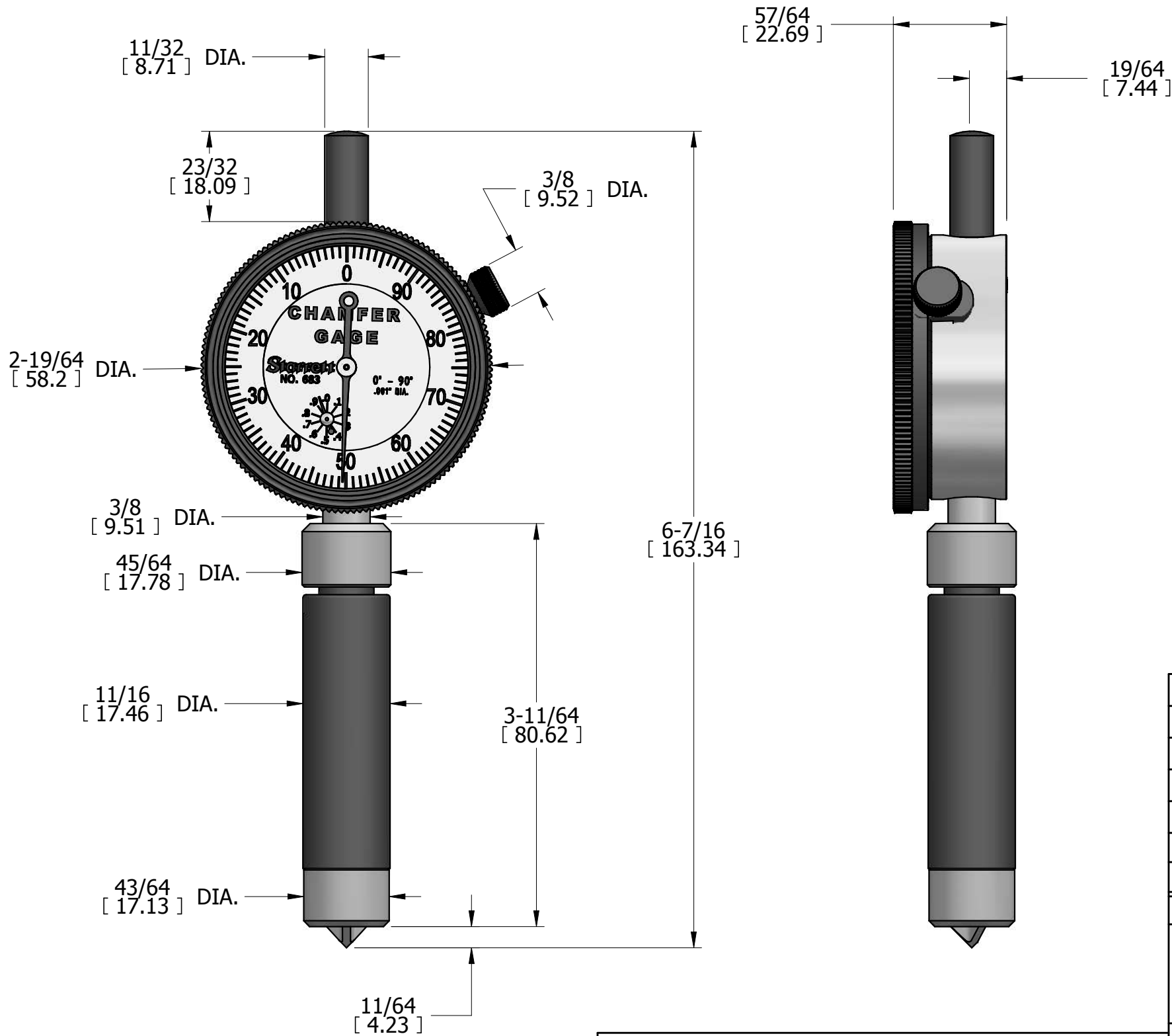
CAT NO

683-1Z

CUSTOMER DIMENSIONS

DO NOT
SEPARATE
PRINT FROM
WORK

LOT NO



NOTE:
METRIC DIMS.
IN BRACKETS

REV	DESCRIPTION	DATE	BY
DR	JEG	CHK	DATE

INDICATOR
CHAMFER GAGE
-ENGLISH-

THE L.S. STARRETT CO.
ATHOL, MASS.

FRACTIONAL TOLERANCE +- 1/64 UNLESS OTHERWISE NOTED