

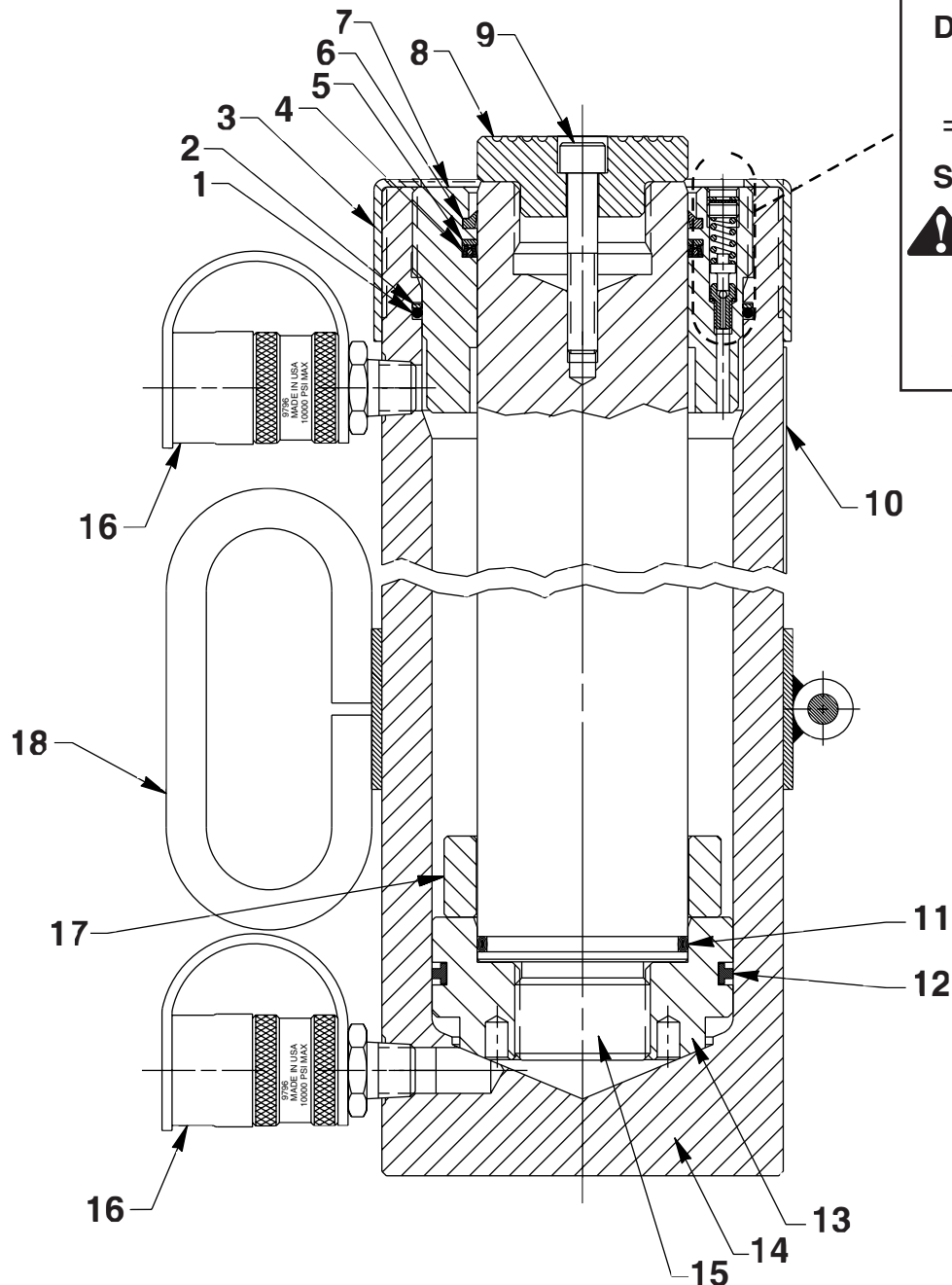
## MODEL B DOUBLE-ACTING HYDRAULIC CYLINDER

Max. Capacity: 55.2 Tons at 10,000 PSI (Push)  
28.2 Tons at 10,000 PSI (Pull)



Double-acting  
Cylinder  
Relief Valve

See important  
**! DANGER**  
statement  
on back of  
sheet 1 of 1





**DANGER:** To help avoid possible serious personal injury or death,

- In the event that the cylinder retract port is ever restricted or plugged, a double-acting cylinder relief valve will help prevent excessive pressure from building in the cylinder. **DO NOT** attempt to adjust or service this relief valve! If oil leakage is detected from this relief valve, discontinue use of the cylinder immediately and contact Power Team Technical Services. Only Power Team Authorized Hydraulic Service Centers should service this relief valve.

| Item No. | Part No.  | No. Req'd | Description   |
|----------|-----------|-----------|---|
| 1        | *12599    | 1         | O-ring (4.25 x 4.00 Nitrile)  |
| 2        | *19331    | 1         | Washer, Backup (4.25 x 4.00)  |
| 3        | 421431    | 1         | Protector, Thread   |
| 4        | *19333    | 1         | U-cup (3.00 x 2.63 x .19 H)   |
| 5        | *19152    | 1         | Washer, Backup (3.00 x 2.63)  |
| 6        | *207721   | 1         | Wiper, Rod (3.00 x 2.63 URE)  |
| 7        | 51332     | 1         | Nut, Retainer (3/8-24; Torque to 100 ft. lbs. oiled)  |
| 8        | 38449     | 1         | Insert, Serrated  |
| 9        | 12866     | 1         | Screw, Soc HD (3/8-16 x 2-1/4)  |
| 10       | 351866    | 1         | Decal, Tradename (Power Team)   |
| 11       | *19334    | 1         | O-ring (2.62 x 2.37 Urethane)   |
| 12       | *15381    | 1         | T-seal (3.75 x 3.38 x .27 L)  |
| 13       | 43305     | 1         | Head, Piston (Use Loctite 277 when assembling piston head to piston rod [Item 15] & torque to 200 ft. lbs.) |
| 14       | 59229     | 1         | Body, Cylinder  |
| 15       | 59230     | 1         | Rod, Piston   |
| 16       | 9796      | 2         | Coupler, Quick Cylinder Half  |
| 17       | 253387    | 1         | Spacer  |
| 18       | 420396OR9 | 1         | Handle, Cylinder Lift   |

**PARTS INCLUDED BUT NOT SHOWN**

|        |   |                |
|--------|---|----------------|
| *37782 | 1 | Decal, Warning |
|--------|---|----------------|

Part numbers marked with an asterisk (\*) are contained in Repair Kit No. 300005.



Refer to any operating instructions included with this product for detailed information about operation, testing, disassembly, reassembly, and preventive maintenance.

Items found in this parts list have been carefully tested and selected. **Therefore: Use only genuine Power Team replacement parts!**

Additional questions can be directed to our Technical Services Department.