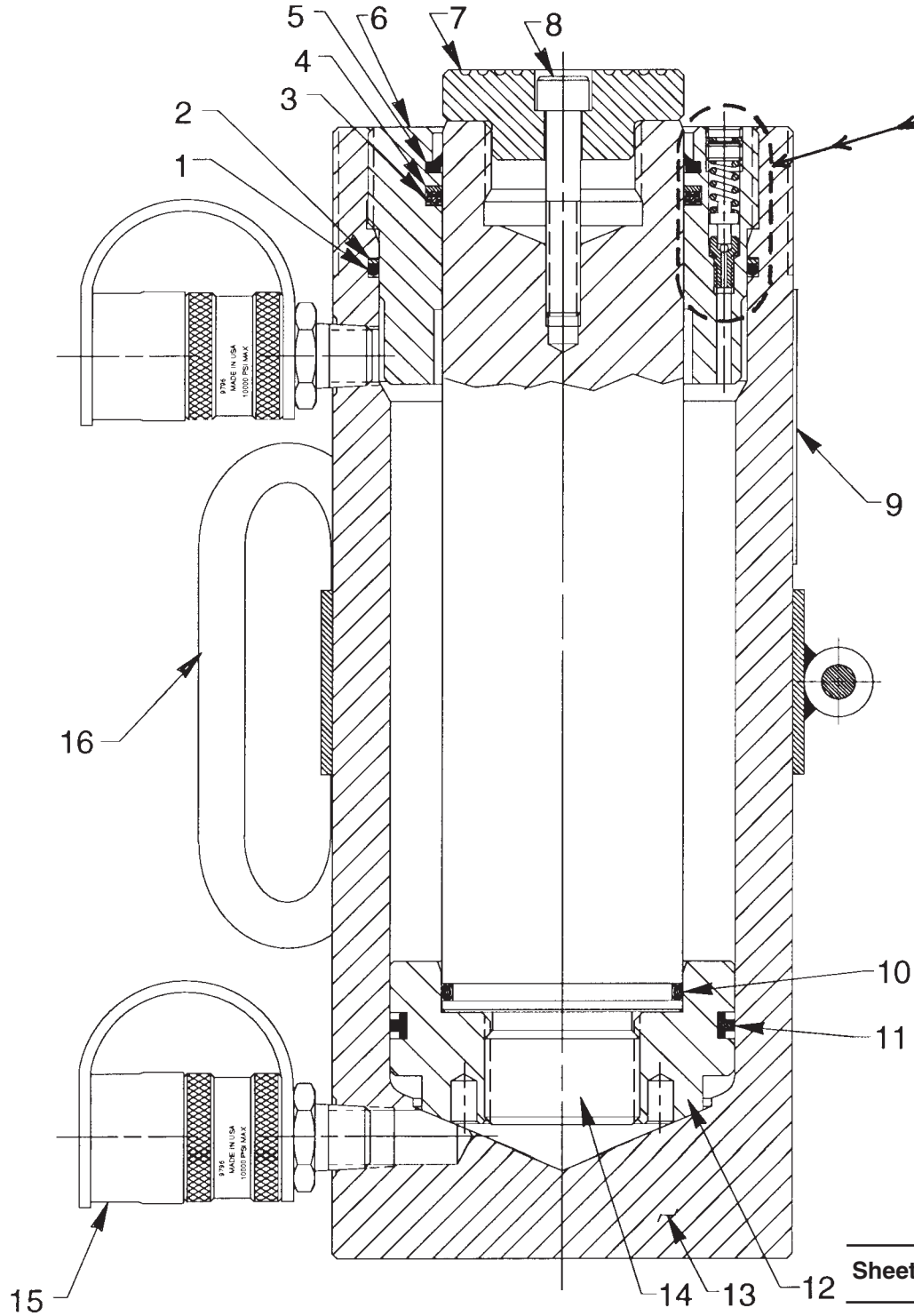


Parts List for:

RD556
RD5513
RD5513-POULAN

MODEL B
DOUBLE-ACTING
HYDRAULIC CYLINDER
Max. Capacity: 55.2 Tons at 10,000 PSI



**Double-acting
Cylinder
Relief Valve**

See important

! DANGER

statement
on back of
sheet 1 of 1



DANGER : To help avoid possible serious personal injury or death,

- In the event that the cylinder retract port is ever restricted or plugged, a double-acting cylinder relief valve will help prevent excessive pressure from building in the cylinder. **DO NOT** attempt to adjust or service this relief valve! If oil leakage is detected from this relief valve, discontinue use of the cylinder immediately and contact **Power Team Technical Services**. Only Power Team Authorized Hydraulic Service Centers should service this relief valve.

Item No.	Part No.	No. Req'd	Description
1	*12599	1	O-ring (4-1/4 X 4" X .048)
2	*19331	1	Backup Washer (4-1/4 X 4" X .048)
3	*19333	1	U-cup
4	*19152	1	Backup Washer (3" X 2-5/8 X .070)
5	*207721	1	Rod Wiper
6	51332	1	Retainer Nut (Torque to 100 ft. lbs.)
7	38449	1	Serrated Insert
8	12866	1	Cap Screw (3/8-16 UNC X 2-1/4 Lg.)
9	350936	1	Trade Name Decal (For RD556)
	350937	1	Trade Name Decal (For RD5513)
10	*19334	1	O-ring (2-5/8 X 2-3/8 X 1/8)
11	*15381	1	T-seal & Backup Rings (Smooth side of Backup Ring must be against seal.)
12	43305	1	Piston Head (Use Loctite No. 277 when assembling piston head to piston rod [Item #14]. Torque to 200 ft. lbs.)
13	58516	1	Cylinder Body (For RD556)
	58517	1	Cylinder Body (For RD5513 & RD5513-POULAN)
14	51333	1	Piston Rod (For RD556)
	51334	1	Piston Rod (For RD5513 & RD5513-POULAN)
15	9796	2	Ram Half Coupler w/ Plastic Dust Cap
16	420396OR9	1	Handle Assembly (For RD556 & RD5513)

PARTS INCLUDED BUT NOT SHOWN

*37782	1	Warning Decal
11127	2	Pressure Plug (For RD5513-POULAN)
421431	1	Thread Protector

Part numbers marked with an (*) asterisk are contained in Repair Kit No. 300005.

Note: Shaded areas reflect last revision(s) made to this form.

Refer to any operating instructions included with this product for detailed information about operation, testing, disassembly, reassembly, and preventive maintenance.

Items found in this parts list have been carefully tested and selected. **Therefore: Use only genuine Power Team replacement parts!**

Additional questions can be directed to our Technical Services Department.