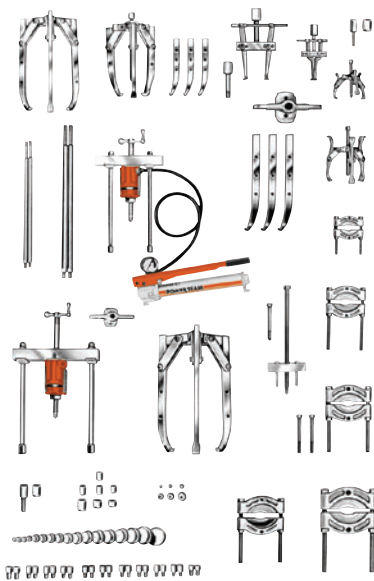


17.5 AND 50 TON CAPACITY PULLER SETS

Model Shown:  
**IPS5017**



**WOODEN STORAGE BOX**  
No. 3084390R9 is included with the sets listed on this page.

46" L x 22.5" W x 30" D. Wt. 105 lbs.

MB16 Metal storage boxes also available.

If you are looking for a maintenance puller set that will handle a wide variety of applications, this one is for you. The mechanical and hydraulic pullers and attachments are designed to handle most removing and installing jobs with a minimal amount of effort.

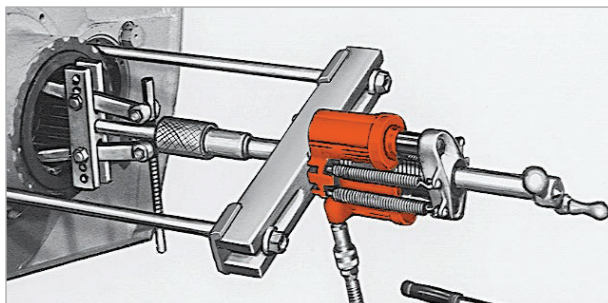
Order No.	Description
IPS5017	17.5 and 50 ton capacity manual and hydraulic puller set. Includes hydraulics, pullers, wooden storage box and accessories listed below. Wt., 892.00 lbs.
IPS5017B	Puller set with MB16 metal box. Wt., 915.00 lbs.

HYDRAULICS	
Order No.	Description
P55	Single-stage hyd. hand. pump assembly
RT172	17.5 ton cylinder with threaded insert
RT503	50 ton center-hole twin cylinder w/ threaded insert
9798	Hose half coupler
9767	Hydraulic hose – 6 ft.
9670	Tee adapter
9059	Pressure gauge

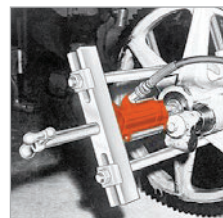
ACCESSORIES	
Order No.	Description
8075	Step plate adapter set
8076	Step plate adapter set
8056	Shaft protector set
1154	Bearing cup pulling attachment
1166	Bearing cup pulling attachment
1122	Bearing pulling attachment
1123	Bearing pulling attachment
1126	Bearing pulling attachment
1127	Bearing pulling attachment
1130	Bearing pulling attachment
34479	Reducing adapter for 1166
10215	Hex nut; 3/4" – 16 (2)
24829	Short bolt

PULLERS	
Order No.	Description
1062	17.5 ton cap. Bi-Directional™ Puller with 16.50" legs
1076	50 ton cap. hydraulic Bi-Directional™ Puller with 24.00" legs
1066	17.5 ton 3-jaw hyd. puller
1080	17.5 ton 3-jaw hyd. puller
41224	17.5 ton 2-jaw puller head
50449	50 ton 2-jaw puller head
1027	Combination 2/3-jaw puller
1037	Combination 2/3-jaw puller
1041	Combination 2/3-jaw puller
43892	Long jaws (3) for 1037
30902	Long jaws (3) for 1041
1105	22.50" legs for 1062
1113	34.00" legs for 1076
24814	Speed crank
29595	Speed crank
28228	Screw cap
28230	Cylinder cap
32118	Adjusting screw
32698	Adjusting screw
34755	Pushing adapter
201923	Pushing adapter
7392	Gear and pulley puller
24833	Forcing screw for 7392

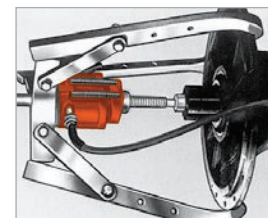
THREADED ADAPTERS	
Order No.	Description
8005	5/8" – 18 F. x 3/8" – 16 M. (2)
8006	5/8" – 18 F. x 1/2" – 20 M. (2)
8007	5/8" – 18 F. x 1/2" – 13 M. (2)
8010	5/8" – 18 F. x 5/8" – 11 M. (2)
8013	5/8" – 18 F. x 3/4" – 16 M. (2)
8015	5/8" – 18 F. x 3/4" – 10 M. (2)
8019	5/8" – 18 F. x 1" – 14 M. (2)
8020	1" – 8 F. x 5/8" – 18 M. (1)
8021	1" – 8 F. x 1" – 14 M. (1)
8023	1 1/4" – 12 F. x 1" – 14 M. (2)
8028	1 5/8" – 5 1/2 F. x 1" – 8 M. (1)
8029	1 5/8" – 5 1/2 F. x 1" – 14 M. (1)
8038	5/8" – 18 F. x 3/4" – 16 F. (2)
8044	Female threaded adapter set



Combination of 50 ton capacity Bi-Directional™ Puller and cup pulling attachment simplifies the removal of a final drive axle seal.



Hydraulically powered Bi-Directional™ Puller removes drive wheel. Pulling attachment is used to provide gripping surface.



3-jaw puller provides grip while hydraulic hand pump provides power to push shaft from housing. Shaft protector is used on end of puller screw.

Pullers

**CAUTION:** All the items shown may not withstand the full tonnage specified. Example: When an accessory with a 1 ton capacity is used with a 7 ton puller, the setup can be used only at a force of 1 ton.