



**OPERATOR'S MANUAL
MANUEL de L'UTILISATEUR
MANUAL del OPERADOR**



**Catalog No.
No de Cat.
Catálogo No.
8950
8955
8936-20
8938-20**

**HEAVY-DUTY COMMERCIAL VACUUM
EXTRA ROBUSTE ASPIRATEUR COMMERCIAL
HEAVY-DUTY ASPIRADORA COMMERCIAL**

**TO REDUCE THE RISK OF INJURY, USER MUST READ AND UNDERSTAND OPERATOR'S MANUAL.
AFIN DE RÉDUIRE LE RISQUE DE BLESSURES, L'UTILISATEUR DOIT LIRE ET BIEN COMPRENDRE LE
MANUEL DE L'UTILISATEUR.**

**PARA REDUCIR EL RIESGO DE LESIONES, EL USUARIO DEBE LEER Y ENTENDER EL MANUAL DEL
OPERADOR.**

GENERAL SAFETY RULES



WARNING!

READ AND UNDERSTAND ALL INSTRUCTIONS

Failure to follow all instructions listed below, may result in electric shock, fire and/or serious personal injury.



SAVE THESE INSTRUCTIONS

To reduce the risk of fire, electric shock or injury:

1. Do not leave appliance when plugged in. Unplug from outlet when not in use and before servicing.
2. Do not use outdoors or on wet surfaces.
3. Do not allow to be used as a toy. Close attention is necessary when used by or near children.
4. Use only as described in this manual. Use only manufacturer's recommended attachments.
5. Do not use with damaged cord or plug. If appliance is not working as it should, has been dropped, damaged, left outdoors, or dropped into water, return it to a service center.
6. Do not pull or carry by cord, use cord as a handle, close a door on cord, or pull cord around sharp edges or corners. Do not run appliance over cord. Keep cord away from heated surfaces.
7. Do not unplug by pulling on cord. To unplug grasp the plug not the cord.
8. Do not handle plug or appliance with wet hands.
9. Do not put any object into openings. Do not use with any opening blocked; keep free of dust, lint, hair, and anything else that may reduce air flow.
10. Keep hair, loose clothing, fingers, and all parts of body away from openings and moving parts.
11. Do not pick up anything that is burning or smoking such as cigarettes, matches, or hot ashes.
12. Do not use without dust bag and filter in place.
13. Turn off all controls before unplugging.
14. Use extra care when cleaning on stairs.
15. Do not use to pick up flammable or combustible liquids such as gasoline or use in areas where they may be present.
16. Connect to a properly grounded outlet only. See grounding instructions.
17. Vacuum cleaners have motors and other parts that can produce sparks during normal use. Do not use within 30 feet of areas where explosive gases may be present (such as gasoline pumps and places where liquids like paint thinners, cleaners, solvents, etc. are stored).
18. Unplug power cord whenever motor head is removed from tank.
19. Do not use in the presence of explosive liquids or vapors.
20. To reduce the risk of health hazards from vapors or dust, do not vacuum toxic, carcinogenic or other hazardous materials such as asbestos, arsenic, barium, beryllium, lead, pesticides or other health endangering materials.
21. Do not use where oxygen or anesthetics are used.
22. Wear electrically insulated footwear, such as rubber boots, when vacuuming wet material.
23. **WARNING!** Some dust created by power sanding, sawing, grinding, drilling, and other construction activities contains chemicals known to cause cancer, birth defects or other reproductive harm. Some examples of these chemicals are:
 - lead from lead-based paint
 - crystalline silica from bricks and cement and other masonry products, and
 - arsenic and chromium from chemically-treated lumber.Your risk from these exposures varies, depending on how often you do this type of work. To reduce your exposure to these chemicals: work in a well ventilated area, and work with approved safety equipment, such as those dust masks that are specifically designed to filter out microscopic particles.

**READ AND SAVE ALL INSTRUCTIONS
FOR FUTURE USE.**

Symbology

	Underwriters Laboratories, Inc.
	Canadian Standards Association
Hz	Hertz
A	Amps

Specifications

Cat. No.	Volts AC	Amps	For Materials	Tank Capacity Gallons	Air Flow Cubic Feet per Minute	Sealed Suction in Water
8936-20	120	12*	Wet or Dry	7.5	159	59"
8938-20	120	7.4	Wet or Dry	9	102	84"
8950	120	8	Wet or Dry	8	143	45"
8955	120	8	Wet or Dry	10	143	45"

* For Cat. No. 8936-20 with onboard outlet:

The entire unit is rated at 12 amps. The vacuum motor is rated at 9.5 amps. The outlet on the motor head is rated at 8 amps.

FUNCTIONAL DESCRIPTION

1. Handle
2. Exhaust port
3. Tank latch
4. Intake port
5. Tank
6. Utility Outlet
(Cat. No. 8936-20 only)



GROUNDING



WARNING!

Improperly connecting the grounding wire can result in the risk of electric shock. Check with a qualified electrician if you are in doubt as to whether the outlet is properly grounded. Do not modify the plug provided with the tool. Never remove the grounding prong from the plug. Do not use the tool if the cord or plug is damaged. If damaged, have it repaired by a MILWAUKEE service facility before use. If the plug will not fit the outlet, have a proper outlet installed by a qualified electrician.

Grounded Tools:

Tools with Three Prong Plugs

Tools marked "Grounding Required" have a three wire cord and three prong grounding plug. The plug must be connected to a properly grounded outlet (See Figure A). If the tool should electrically malfunction or break down, grounding provides a low resistance path to carry electricity away from the user, reducing the risk of electric shock.

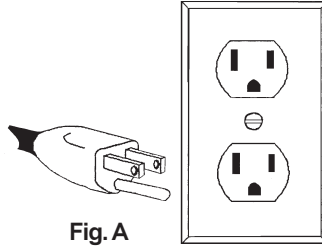


Fig. A

The grounding prong in the plug is connected through the green wire inside the cord to the grounding system in the tool. The green wire in the cord must be the only wire connected to the tool's grounding system and must never be attached to an electrically "live" terminal.

Your tool must be plugged into an appropriate outlet, properly installed and grounded in accordance with all codes and ordinances. The plug and outlet should look like those in Figure A.

Double Insulated Tools:

Tools with Two Prong Plugs

Tools marked "Double Insulated" do not require grounding. They have a special double insulation system which satisfies OSHA requirements and complies with the applicable standards of Underwriters Laboratories, Inc., the Canadian Standard Association and the National Electrical Code. Double Insulated tools may be used in either of the 120 volt outlets shown in Figures B and C.

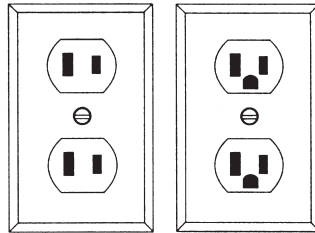


Fig. B

Fig. C

EXTENSION CORDS

Grounded tools require a three wire extension cord. Double insulated tools can use either a two or three wire extension cord. As the distance from the supply outlet increases, you must use a heavier gauge extension cord. Using extension cords with inadequately sized wire causes a serious drop in voltage, resulting in loss of power and possible tool damage. Refer to the table shown to determine the required minimum wire size.

The smaller the gauge number of the wire, the greater the capacity of the cord. For example, a 14 gauge cord can carry a higher current than a 16 gauge cord. When using more than one extension cord to make up the total length, be sure each cord contains at least the minimum wire size required. If you are using one extension cord for more than one tool, add the nameplate amperes and use the sum to determine the required minimum wire size.

Guidelines for Using Extension Cords

- If you are using an extension cord outdoors, be sure it is marked with the suffix "W-A" ("W" in Canada) to indicate that it is acceptable for outdoor use.
- Be sure your extension cord is properly wired and in good electrical condition. Always replace a damaged extension cord or have it repaired by a qualified person before using it.
- Protect your extension cords from sharp objects, excessive heat and damp or wet areas.

Recommended Minimum Wire Gauge for Extension Cords*

Nameplate Amperes	Extension Cord Length					
	25'	50'	75'	100'	150'	200'
0 - 5	16	16	16	14	12	12
5.1 - 8	16	16	14	12	10	--
8.1 - 12	14	14	12	10	--	--
12.1 - 15	12	12	10	10	--	--
15.1 - 20	10	10	10	--	--	--

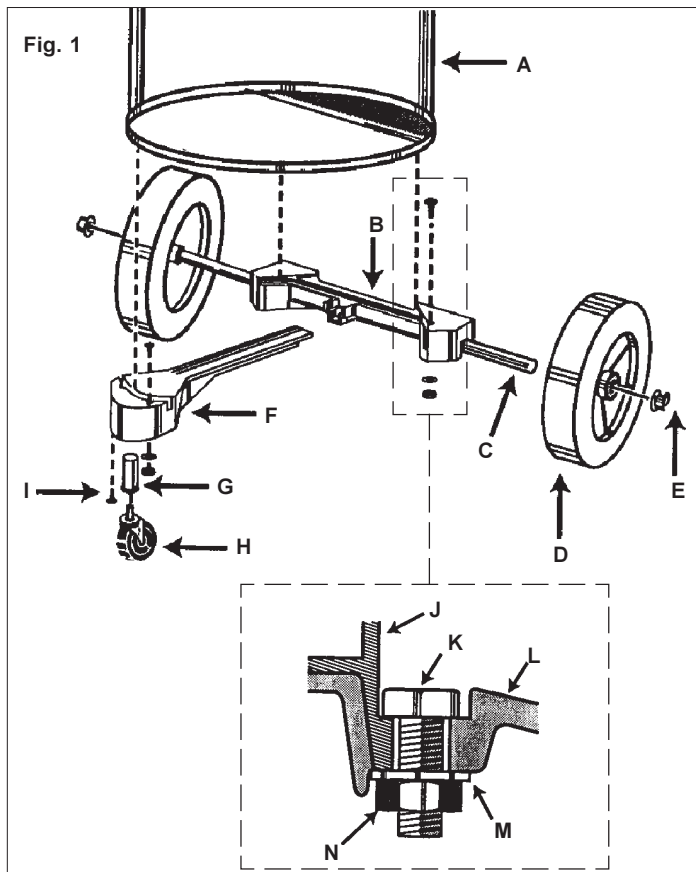
* Based on limiting the line voltage drop to five volts at 150% of the rated amperes.

**READ AND SAVE ALL INSTRUCTIONS
FOR FUTURE USE.**

TOOL ASSEMBLY

Assembling Dolly (Cat. No. 8955) (Fig. 1)

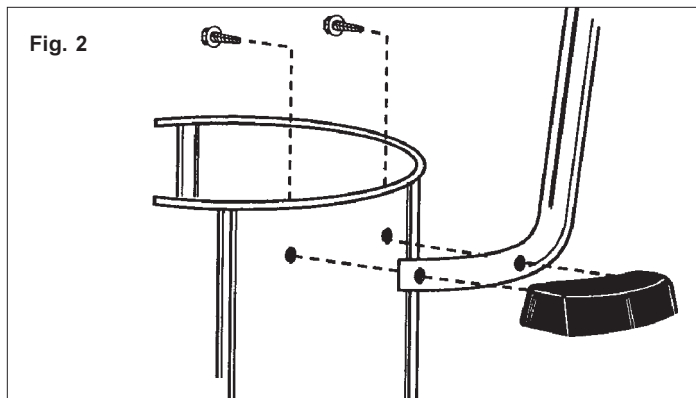
Assemble as shown in the diagram. You will need a hammer and a phillips screwdriver.



1. Place wheels on rear frame (B) by tapping in the axle (C), fitting the wheel (D) on the axle and tapping a cap nut (E) on with a hammer.
2. Insert caster socket (G) into front frame (F) and secure it with the phillips screw (I).
3. Align front frame (F) and rear frame (B) so that they fit together and fit lip of tank (J) into the grooves in front and rear frames.
4. Secure frame (B and F) to the tank by placing the hex bolts (K) through the holes in dolly and securing them with nut (N) and washer (M) as shown.
5. Insert caster (H) into into caster socket (G) and push down until caster snaps into place.

Installing Handle (Cat. No. 8955) (Fig. 2)

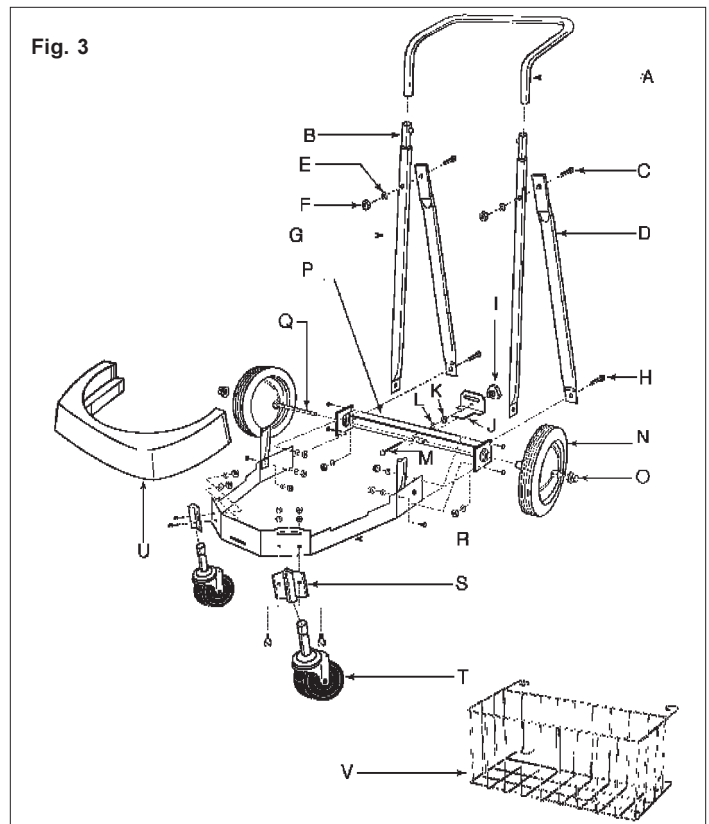
You will need either a flat blade screwdriver or a socket driver and a wrench or a pair of pliers.



1. Place dolly handle between tank and side handle on either side of the tank.
2. Fasten tightly with slotted hex head screws.

Assembling Dolly (Cat. No. 8938-20) (Fig. 3)

Assemble as show in the diagram. You will need: a hammer, two 1/2" open end wrenches, and two 7/16" open end wrenches.



1. Insert 2-1/2" bolt (M) through the center hole in rear frame (P), attach lockwasher (L) and nut (K) and tighten securely.
2. Attach support struts (D) to back of rear frame (P) with 5/8" bolt, star washers, and nuts (finger tight only).
3. Position main frame inside rear frame. Attach with (2) 5/8" bolts and, star washers, and nuts on each side (G).
4. Attach handle uprights, inside main frame (Q) (make sure that buttons at the top face inward using 5/8" bolts, star washers and nuts finger tighten only). Align holes at the top of the struts (D) with hole in the handle uprights (G). Attach with 1-3/8" bolts, star washers, and nuts and tighten securely.
5. Go back and tighten the bolts at the bottom of the uprights and struts (D).
6. Attach caster socket plates (open end down) to front of main frame (R) using 5/8" bolts, star washers and nuts and insert casters (T) into the sockets.
7. Attach the handle (A) onto the uprights by pushing down and holding buttons in.
8. Place tank retaining bracket (J) through the slot in the back of the rear frame and thread on the knob.
9. Place axle upright on a hard surface and tap a capnut (O) on with a hammer. Place one wheel on the axle and slide it down to the capnut. Slide the axle through the rear of frame and slide on the other wheel. Tap second capnut onto axle after checking that frame is assembled correctly by placing the tank on the dolly.
10. Slide bumper (U) down over the socket plates until it snaps into place.
11. Hook basket (V) on the handle with the top hooks around the handle and the bottom prongs in the holes in the handle.

Attaching Caddy and Casters (Cat. No. 8936-20)

You will only need a Phillips screwdriver.

1. Slide caddy over attaching boss' on bottom of vacuum cleaner tank.
2. Install phillips screws and tighten.
3. Slide caster housings over attaching boss' on bottom of vacuum cleaner tank.
4. Install phillips screws and tighten.
5. Push caster wheel shafts into attaching holes on bottom of caster housings and bottom of caddy until they click.



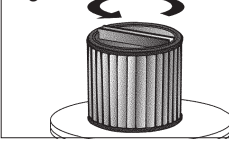
WARNING!

To reduce the risk of injury, always unplug the tool before removing the motor head.

Installing and cleaning Cartridge Filters

1. Unplug vacuum cleaner.
2. To remove filter for cleaning, hold onto base of lid cage with one hand and turn retainer counter clockwise to loosen (Fig. 4).

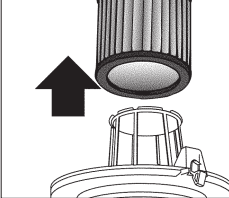
Fig. 4



Caution: Use care when handling motor head. Dropping motor head may cause permanent damage.

3. Remove filter cartridge from motor head (Fig. 5). Handle filters carefully when removing for cleaning. Even a small hole can cause dust to be exhausted. Do not use a filter with a hole or tear. Replace immediately.

Fig. 5

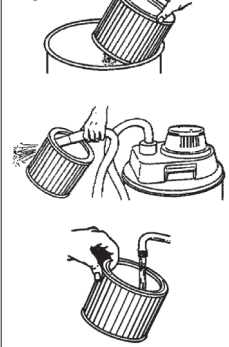


4. Clean the filter (Fig. 6):

- Clean a **dry** filter cartridge by tapping the filter cartridge on the inside of a waste container or by blowing loose dirt using exhaust port.
- Clean a **wet** filter cartridge by rinsing it from the inside. Make sure that the filter is dry before using it to pick up dry material.

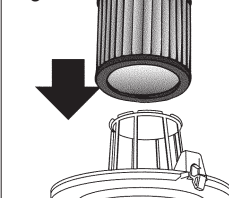
When wet (to prevent mold and/or mildew build-up), the cartridge filter should be removed and allowed to air dry for a 24-hour period before being re-installed on the filter cage.

Fig. 6



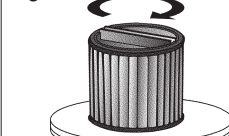
5. Slide clean cartridge filter over filter cage (Fig. 7).

Fig. 7



6. Place filter retainer on top of cartridge filter.
7. Hold onto base of lid cage with one hand and turn retainer clockwise to tighten (Fig. 8).

Fig. 8



WARNING!

To reduce the risk of injury, always unplug the tool before removing the motor head.

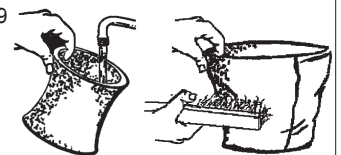
Installing and cleaning foam filters

1. Unplug vacuum cleaner.
2. Remove motor head.

Caution: Use care when handling motor head. Dropping motor head may cause permanent damage.

3. Remove the foam filter sleeve (and cloth filter if present) from motor head.
4. Clean the foam filter sleeve by rinsing it from the inside. Make sure that the filter is dry before using it to pick up dry material. Clean cloth filters by shaking off loose material and brushing the filter with a soft bristle brush (Fig. 9).

Fig. 9



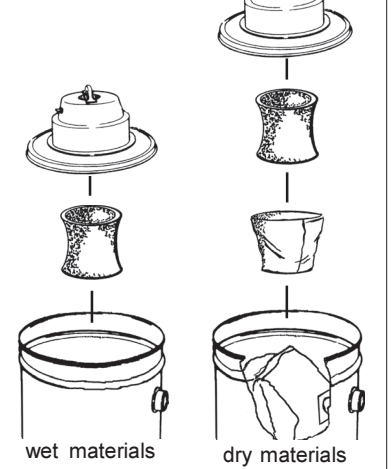
5. Attach the clean foam filter sleeve to motor head (Fig. 10).

- If you plan to vacuum dry material into a filter bag, expand the paper filter bag and fit cardboard collar onto the intake tube as far as possible.

- If you plan to vacuum dry material and you are using the foam filter sleeve, you must also use the cloth filter.

6. Replace motor head and snap down tank latches.

Fig. 10



wet materials

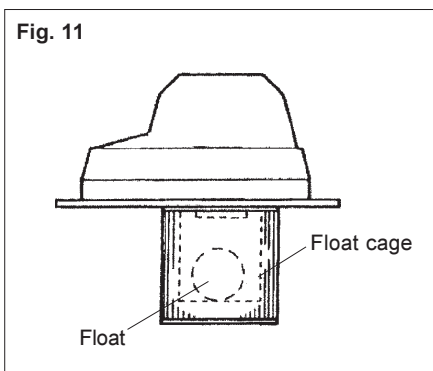
dry materials

OPERATION

Vacuumping wet or dry materials (Fig. 11)

When vacuuming dry materials, either the filter cartridge or the foam filter sleeve AND the cloth filter are required. There are other filters that can be used with the required filters to provide additional filtration when vacuuming dry material. Follow the the instructions included with these filters. Empty tank and clean filter frequently. Be sure filters are dry before using the vacuum to pick up dry material. Dry material will clog wet filters and make them difficult to clean.

When vacuuming wet materials, either the filter cartridge or a foam filter sleeve is required. A float valve shuts off suction when the tank is full. Be sure that the float is clean and moves freely in the float cage to ensure that the float valve works. If you are vacuuming a large amount of liquid, the filter cartridge can become saturated and a mist can appear from the exhaust port. If this happens, dry the filter by running the vacuum (without picking up anything) for 10 minutes.



WARNING!

If the float is clean and moves freely and the suction does not shut off when tank is filled (you will be able to see water in the exhaust port), send motorhead to the nearest **MILWAUKEE** service facility for repair.

Starting and Stopping the Vacuum

To turn vacuum cleaner on, switch the ON/OFF switch to the ON position.

To turn vacuum cleaner off, switch the ON/OFF switch to the OFF position.

For Cat. No. 8936-20:

To turn vacuum on, set the AUTO/OFF/ON switch to ON position.

To turn vacuum off, set the AUTO/OFF/ON switch to the OFF position. To turn the vacuum on automatically by using a tool plugged into the outlet on the motor head, set the AUTO/OFF/ON switch to the AUTO position.

Removing liquid from the vacuum tank

1. Unplug vacuum cleaner.
2. Remove motor head and set aside.
3. Block wheels.
4. Carefully dump contents into floor drain. Do not dump through intake tube.
5. Rinse and dry tank.

Do not store vacuum cleaner with liquid in tank. Run the vacuum for about 10 minutes without picking up anything to dry the inside of the tank and the filter cartridge.

Using the vacuum as a blower (Cat. Nos. 8950 & 8955 only)



WARNING!

To reduce the risk of injury: wear safety glasses and a dustmask when using the vacuum cleaner as a blower.

Attach hose to exhaust port on the motor head, attach the appropriate accessory to the hose, turn the vacuum on.

Using the vacuum cleaner to collect dust created by tools

Many tools (such as sanders) are designed so that they can be used with vacuum cleaners. The vacuum cleaners collect the dust that these tools create before it gets into the air or onto the floor. Vacuum cleaners with the AUTO setting are ideal for collecting dust because they can be set up to turn on and off automatically by using the tool's on and off switch. Vacuum cleaners without an AUTO setting can also be used to collect dust. The operator will simply have to turn the vacuum on and off.

Using the vacuums (without the automatic switch) as dust collection device for a tool

1. Connect vacuum hose to tool's dust collection port.
2. Turn the vacuum cleaner on.
3. Turn on tool.

To use the vacuum cleaner as an automatic dust collection device for a tool (with Cat. No. 8936-20 only)



WARNING!

To reduce the risk of fire, electric shock or injury: Do not plug any tool or appliance rated over 8 amps into the outlet on the vacuum cleaner. Check nameplate of the tool for the amp rating. To reduce the risk of injury, tool must be turned off before placing switch in the auto position.

1. Connect vacuum hose to tool.
2. With the power switch in the "O" (Off) position, plug power cord of the tool (also turned off) into the electrical outlet on the vacuum cleaner's motor head.
3. Set the AUTO/OFF/ON switch to AUTO. A very brief running operation of the vacuum will occur. This is normal. Now the vacuum will operate "On Demand".
4. Turn tool on and the vacuum cleaner will start automatically a few seconds later. Turn tool off and vacuum will stop automatically a few seconds later.

Utility Outlet Load - vs - Vacuum Performance

The unique design of the "On Demand" feature of this unit will cause the vacuum performance to vary with the amount of current drawn from the utility outlet. The electronic circuit automatically adjusts the power of the vacuum unit to compensate for the power being drawn from the utility outlet. This adjustment allows the total system current draw to stay within the safety regulatory agencies maximum of 12 Amps. What ever the amount of current is being drawn for utility work, the remainder from 12 Amps is allowed to the vacuum unit to provide the maximum allowable vacuum performance during the work. As soon as the utility work stops, the vacuum returns to full power during the delay period before turning off.

MAINTENANCE



WARNING!

To reduce the risk of injury, always unplug your tool before performing any maintenance. Never disassemble the tool or try to do any rewiring on the tool's electrical system. Contact a **MILWAUKEE** service facility for ALL repairs.

Maintaining Tools

Keep your tool in good repair by adopting a regular maintenance program. Before use, examine the general condition of your tool. Inspect guards, switches, tool cord set and extension cord for damage. Check for loose screws, misalignment, binding of moving parts, improper mounting, broken parts and any other condition that may affect its safe operation. If abnormal noise or vibration occurs, turn the tool off immediately and have the problem corrected before further use. Do not use a damaged tool. Tag damaged tools "DO NOT USE" until repaired (see "Repairs").

Under normal conditions, relubrication is not necessary until the motor brushes need to be replaced. After six months to one year, depending on use, return your tool to the nearest **MILWAUKEE** service facility for the following:

- Lubrication
- Brush inspection and replacement
- Mechanical inspection and cleaning (gears, spindles, bearings, housing, etc.)
- Electrical inspection (switch, cord, armature, etc.)
- Testing to assure proper mechanical and electrical operation



WARNING!

To reduce the risk of injury, electric shock and damage to the tool, never immerse your tool in liquid or allow a liquid to flow inside the tool.

Cleaning

Clean dust and debris from vents. Keep the tool handles clean, dry and free of oil or grease. Use only mild soap and a damp cloth to clean your tool since certain cleaning agents and solvents are harmful to plastics and other insulated parts. Some of these include: gasoline, turpentine, lacquer thinner, paint thinner, chlorinated cleaning solvents, ammonia and household detergents containing ammonia. Never use flammable or combustible solvents around tools.

Repairs

If your tool is damaged, return the entire tool to the nearest service center.

ACCESSORIES



WARNING!

To reduce the risk of injury, always unplug the tool before attaching or removing accessories. Use only specifically recommended accessories. Others may be hazardous.

For a complete listing of accessories refer to your **MILWAUKEE** Electric Tool catalog or go on-line to www.milwaukeetool.com. To obtain a catalog, contact your local distributor or a service center.

FIVE YEAR TOOL LIMITED WARRANTY

Every **MILWAUKEE** tool is tested before leaving the factory and is warranted to be free from defects in material and workmanship. **MILWAUKEE** will repair or replace (at **MILWAUKEE**'s discretion), without charge, any tool (including battery chargers) which examination proves to be defective in material or workmanship from five (5) years after the date of purchase. Return the tool and a copy of the purchase receipt or other proof of purchase to a **MILWAUKEE** Factory Service/Sales Support Branch location or **MILWAUKEE** Authorized Service Station, freight prepaid and insured. This warranty does not cover damage from repairs made or attempted by other than **MILWAUKEE** authorized personnel, abuse, normal wear and tear, lack of maintenance, or accidents.

Battery Packs, Flashlights, and Radios are warranted for one (1) year from the date of purchase.

THE REPAIR AND REPLACEMENT REMEDIES DESCRIBED HEREIN ARE EXCLUSIVE. IN NO EVENT SHALL **MILWAUKEE** BE LIABLE FOR ANY INCIDENTAL, SPECIAL, OR CONSEQUENTIAL DAMAGES, INCLUDING LOSS OF PROFITS.

THIS WARRANTY IS EXCLUSIVE AND IN LIEU OF ALL OTHER WARRANTIES, OR CONDITIONS, WRITTEN OR ORAL, EXPRESSED OR IMPLIED FOR MERCHANTABILITY OR FITNESS FOR PARTICULAR USE OR PURPOSE.

This warranty gives you specific legal rights. You may also have other rights that vary from state to state and province to province. In those states that do not allow the exclusion of implied warranties or limitation of incidental or consequential damages, the above limitations or exclusions may not apply to you. This warranty applies to the United States, Canada, and Mexico only.



AVERTISSEMENT!

VOUS DEVEZ LIRE ET COMPRENDRE TOUTES LES INSTRUCTIONS.

Le non-respect, même partiel, des instructions ci-après entraîne un risque de choc électrique, d'incendie et/ou de blessures graves.

CONSERVEZ CES INSTRUCTIONS.

Pour réduire les risques d'incendie, de choc électrique ou de blessure :

1. Ne laissez pas l'appareil branché sans surveillance. Débranchez-le pour en faire le service ou s'il ne sert pas.
2. Ne vous servez pas de l'aspirateur à l'extérieur ou sur les surfaces mouillées.
3. Ne laissez pas l'aspirateur servir de jouet. Soyez prudent si vous laissez des enfants s'en servir ou si vous travaillez auprès d'enfants.
4. Utilisez l'aspirateur selon les instructions contenues dans ce manuel. N'employez que des accessoires approuvés par le fabricant.
5. N'employez pas l'aspirateur si le cordon ou la fiche sont avariés. S'il ne fonctionne pas comme il devrait ou s'il a subi un choc ou des dommages, s'il a été oublié dehors ou s'il a été immergé, retournez-le à un centre de service.
6. Ne tirez pas l'aspirateur et ne le soulevez pas par son cordon. Évitez de coincer le cordon dans une porte ou de forcer le cordon contre des objets acérés ou des angles pointus. Ne faites pas rouler l'aspirateur sur le cordon et éloignez le cordon des sources de chaleur.
7. Ne débranchez pas l'aspirateur en tirant sur le cordon. Pour débrancher, empoignez la fiche et tirez-la hors de la prise.
8. Ne manipulez pas la fiche ou l'appareil si vous avez les mains mouillées.
9. N'obstruez pas les ouvertures de l'aspirateur et ne vous en servez pas si des ouvertures sont obstruées. Enlevez la poussière, la mousse et les poils qui pourraient réduire le débit d'air.
10. Gardez cheveux, vêtements lâches, doigts et autres parties du corps à l'écart des ouvertures et des pièces en mouvement.
11. N'aspirez pas des objets enflammés ou fumants, telles les cigarettes, allumettes ou cendres chaudes.
12. N'utilisez pas l'aspirateur sans son filtre et son sac à poussière.
13. Fermez toutes les commandes avant de débrancher l'aspirateur.
14. Soyez extrêmement prudent lorsque vous aspirez dans les marches d'escalier.
15. Ne vous servez pas de l'aspirateur pour recueillir des liquides inflammables ou combustibles comme l'essence et évitez de vous en servir en présence de tels liquides.
16. Branchez l'aspirateur sur une prise correctement mise à la terre (voir instructions de mise à la terre).
17. Les aspirateurs ont des moteurs et les autres parties qui peuvent produire des étincelles pendant l'usage normal. Pas l'usage dans 30 pieds de domaines où les gaz explosifs peuvent être actuels (pompes tel que d'essence et les endroits où les liquides aiment thinner de peinture, les nettoyeurs, les dissolvants, etc. sont emmagasinés).
18. Débrancher le cordon d'alimentation quand la tête de moteur est enlevée du réservoir.
19. Pas l'usage dans la présence de liquides ou les vapeurs explosifs.
20. Pour réduire le risque de dangers de santé des vapeurs ou la poussière, ne faire pas le vide toxique, matériels cancérigènes ou autres hasardeux tels qu'amiante, l'arsenic, le baryum, beryllium, premier, les pesticides ou l'autres santé risquer matériels.
21. Pas l'usage où l'oxygène ou les anesthésiques sont utilisés.
22. Porter la chaussures électriquement isolée, bottes telle que de caoutchouc, quand vacuuming mouille le matériel.
23. **AVERTISSEMENT!** La poussière dégage par perçage, sclage, perçage et autres travaux de construction contient des substances chimiques reconnues comme pouvant causer le cancer, des malformations congénitales ou d'autres troubles de reproduction. Voici quelques exemples de telles substances :
 - Le plomb contenu dans la peinture au plomb.
 - Le silice cristallin contenu dans la brique, le béton et divers produits de maçonnerie.
 - L'arsenic et le chrome servant au traitement chimique du bois.Les risques associés à l'exposition à ces substances varient, dépendant de la fréquence des travaux. Afin de minimiser l'exposition à ces substances chimiques, assurez-vous de travailler dans un endroit bien aéré et d'utiliser de l'équipement de sécurité tel un masque antipoussière spécifiquement conçu pour la filtration de particules microscopiques.

**LISEZ ATTENTIVEMENT CES INSTRUCTIONS
ET CONSERVEZ-LES POUR LES
CONSULTER AU BESOIN.**

Pictographie

	Underwriters Laboratories, Inc.
	Canadian Standards Association
Hz	Hertz
A	Amperes

Specifications

No de cat.	Volts CA	A	Pour dechets	capacite du reservoir (gallons)	debit d'air pi. cu. min.	aspiration etanche a l'eau
8936-20	120	12*	sec et humide	7,5	159	59"
8938-20	120	7,4	sec et humide	9	102	84"
8950	120	8	sec et humide	8	143	45"
8955	120	8	sec et humide	10	143	45"

*Pour le no de cat. 8936-20 avec la sortie de onboard :
L'unité entière est évaluée à 12A. Le moteur de vide est évalué à 9,5A.
La sortie sur la tête de moteur est évaluée à 8A.

DESCRIPTION FONCTIONNELLE

1. Poignee
2. Sortie d'air
3. Loquet
4. Conduit d'admission
5. Cuve
6. Prise Integree (No de cat. 8936-20 seul)



MISE À LA TERRE



Si le fil de mise à la terre est incorrectement raccordé, il peut en résulter des risques de choc électrique. Si vous n'êtes pas certain que la prise dont vous vous servez est correctement mise à la terre, faites-la vérifier par un électricien. N'altérez pas la fiche du cordon de l'outil. N'enlevez pas de la fiche, la dent qui sert à la mise à la terre. N'employez pas l'outil si le cordon ou la fiche sont en mauvais état. Si tel est le cas, faites-les réparer dans un centre-service **MILWAUKEE** accrédité avant de vous en servir. Si la fiche du cordon ne s'adapte pas à la prise, faites remplacer la prise par un électricien.

Outils mis à la terre :

Outils pourvus d'une fiche de cordon à trois dents

Les outils marqués « Mise à la terre requise » sont pourvus d'un cordon à trois fils dont la fiche a trois dents. La fiche du cordon doit être branchée sur une prise correctement mise à la terre (voir Figure A). De cette façon, si une défectuosité dans le circuit électrique de l'outil survient, le relais à la terre fournira un conducteur à faible résistance pour décharger le courant et protéger l'utilisateur contre les risques de choc électrique.

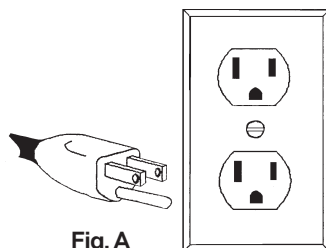


Fig. A

La dent de mise à la terre de la fiche est reliée au système de mise à la terre de l'outil via le fil vert du cordon. Le fil vert du cordon doit être le seul fil raccordé à un bout au système de mise à la terre de l'outil et son autre extrémité ne doit jamais être raccordée à une borne sous tension électrique.

Votre outil doit être branché sur une prise appropriée, correctement installée et mise à la terre conformément aux codes et ordonnances en vigueur. La fiche du cordon et la prise de courant doivent être semblables à celles de la Figure A.

Outils à double isolation :

Outils pourvus d'une fiche de cordon à deux dents

Les outils marqués « Double Isolation » n'ont pas besoin d'être raccordés à la terre. Ils sont pourvus d'une double isolation conforme aux exigences de l'OSHA et satisfont aux normes de l'Underwriters Laboratories, Inc., de l'Association canadienne de normalisation (ACNOR) et du « National Electrical Code » (code national de l'électricité). Les outils à double isolation peuvent être branchés sur n'importe laquelle des prises à 120 volt illustrées ci-contre Figure B et C.

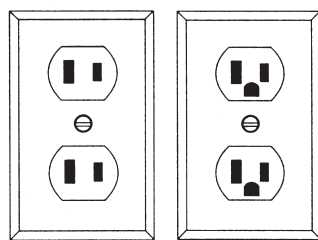


Fig. B

Fig. C

CORDONS DE RALLONGE

Si l'emploi d'un cordon de rallonge est nécessaire, un cordon à trois fils doit être employé pour les outils mis à la terre. Pour les outils à double isolation, on peut employer indifféremment un cordon de rallonge à deux ou trois fils. Plus la longueur du cordon entre l'outil et la prise de courant est grande, plus le calibre du cordon doit être élevé. L'utilisation d'un cordon de rallonge incorrectement calibré entraîne une chute de voltage résultant en une perte de puissance qui risque de détériorer l'outil. Reportez-vous au tableau ci-contre pour déterminer le calibre minimum du cordon.

Moins le calibre du fil est élevé, plus sa conductivité est bonne. Par exemple, un cordon de calibre 14 a une meilleure conductivité qu'un cordon de calibre 16. Lorsque vous utilisez plus d'une rallonge pour couvrir la distance, assurez-vous que chaque cordon possède le calibre minimum requis. Si vous utilisez un seul cordon pour brancher plusieurs outils, additionnez le chiffre d'intensité (ampères) inscrit sur la fiche signalétique de chaque outil pour obtenir le calibre minimal requis pour le cordon.

Directives pour l'emploi des cordons de rallonge

- Si vous utilisez une rallonge à l'extérieur, assurez-vous qu'elle est marquée des sigles « W-A » (« W » au Canada) indiquant qu'elle est adéquate pour usage extérieur.
- Assurez-vous que le cordon de rallonge est correctement câblé et en bonne condition. Remplacez tout cordon de rallonge détérioré ou faites-le remettre en état par une personne compétente avant de vous en servir.
- Tenez votre cordon de rallonge à l'écart des objets ranchants, des sources de grande chaleur et des endroits humides ou mouillés.

Calibres minimaux recommandés pour les cordons de rallonge*

Fiche signalétique Ampères	Longueur du cordon de rallonge (m)					
	7,6	15,2	22,8	30,4	45,7	60,9
0 - 5,0	16	16	16	14	12	12
5,1 - 8,0	16	16	14	12	10	--
8,1 - 12,0	14	14	12	10	--	--
12,1 - 15,0	12	12	10	10	--	--
15,1 - 20,0	10	10	10	--	--	--

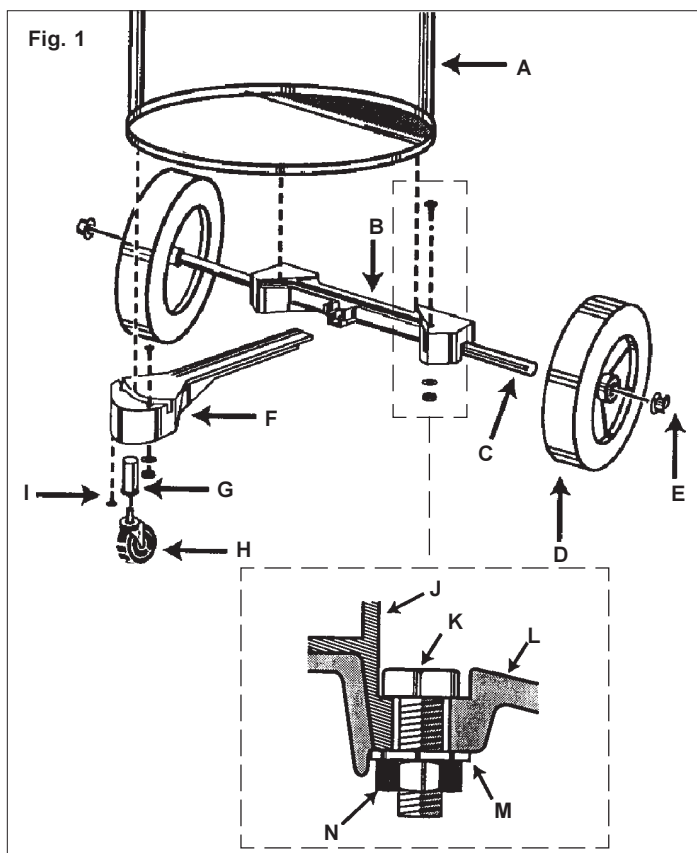
* Basé sur une chute de voltage limite de 5 volts à 150% de l'intensité moyenne de courant.

**LISEZ ATTENTIVEMENT CES INSTRUCTIONS
ET CONSERVEZ-LES POUR LES
CONSULTER AU BESOIN.**

MONTAGE DE L'OUTIL

Montage du chariot (No de cat. 8955) (Fig.1)

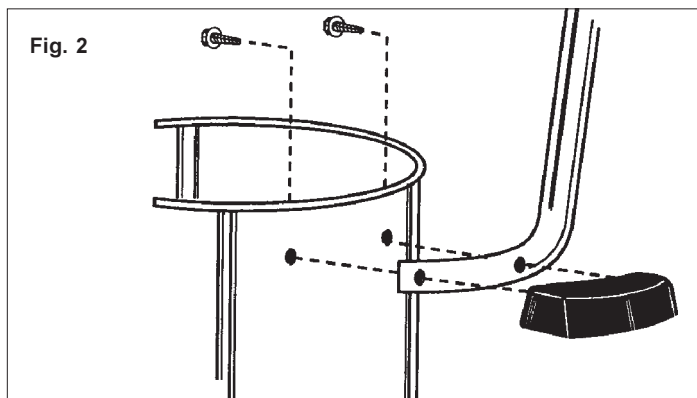
Suivez le schéma de montage. Vous aurez besoin d'un marteau et d'un tournevis cruciforme.



1. Posez les roues sur le chassis arrière (B). Tapez d'abord l'essieu (C) dans le chassis, puis insérez la roue (D) sur l'essieu et fixez l'écrou (E) borgne au bout de l'essieu avec un marteau.
2. Insérez la gaine de roulette (G) dans le chassis avant (F) et fixez-la à l'aide de la vis Phillips (I).
3. Alignez le chassis avant (F) sur le chassis arrière (B) pour qu'ils se joignent et placez le rebord de la cuve (J) dans les rainures des chassis avant et arrière.
4. Fixez les chassis (B et F) à la cuve. Posez les boulons hex. (K) dans les trous du chariot et fixez-les avec un écrou (N) et une rondelle (M), tel qu'indiqué.
5. Insérez la roulette (H) dans la gaine (G) et pressez-la au fond jusqu'à ce qu'elle s'encliquette.

Installation de la poignée (No de cat. 8955) (Fig. 2)

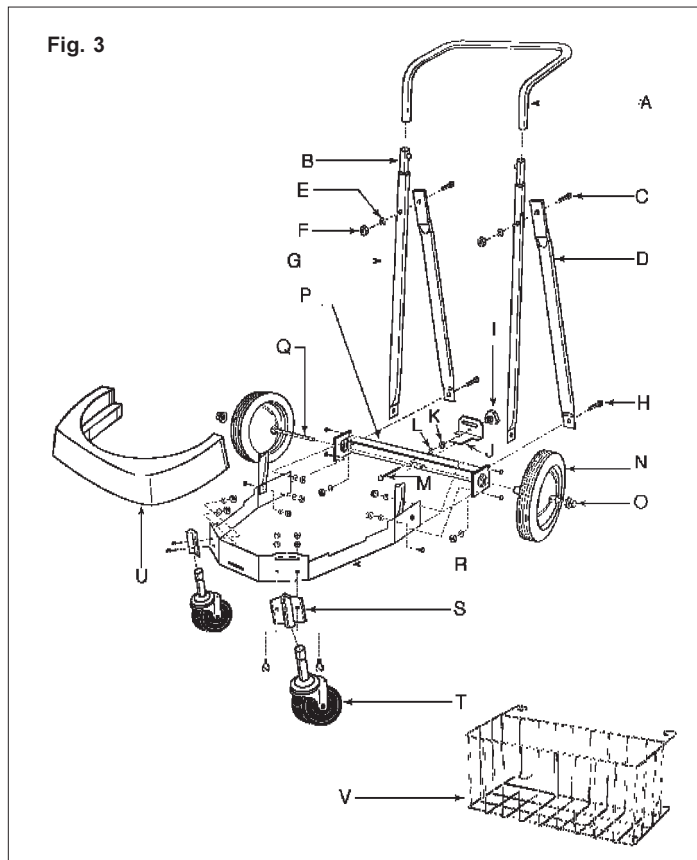
Prenez soit un tournevis à bout plat, un tourne-douille, une clé ou une paire de tenailles.



1. Insérez la poignée du chariot de chaque côté de la cuve en deça de la poignée latérale.
2. Serrez-la solidement avec les vis à tête hex. fendue.

Montage du chariot (Numéro de catalogue 8938-20) Fig. 3

Assemblez le chariot tel qu'indiqué à la figure 3. Vous aurez besoin d'un marteau, deux clés de 1/2" et deux clés de 7/16".



1. Introduisez le boulon de 2-1/2" (M) dans le trou central du chassis arrière (P). Placez la rondelle d'arrêt (L) et vissez l'écrou (K) à fond.
2. Fixez les barres d'appui (D) à l'extérieur du chassis arrière (P) à l'aide des boulons de 5/8", des rondelles en étoile et des écrous. Serrez à la main seulement.
3. Placez le chassis principal à l'intérieur du chassis arrière. Fixez-le, le chaque côté, avec les deux boulons de 5/8", les rondelles en étoile et les écrous (G).
4. Fixez les montants verticaux de la poignée à l'intérieur du chassis principal (Q). Serrez les boulons de 5/8", des rondelles en étoile et des écrous la main seulement et assurez-vous que les boutons de retenue, en haut des montants, soient tournés vers l'intérieur. Alignez les trous, à l'extrémité supérieure des barres d'appui (D) sur le trou dans les montants verticaux de la poignée (G). Fixez les barres à l'aide des boulons de 1-3/8", les rondelles en étoile et des écrous.
5. Serrez à la fond les écrous des montants et des barres d'appui (D).
6. Fixez les logements de roulettes (ouverture vers le bas) à l'avant du chassis principal (R) à l'aide des boulons de 5/8", des rondelles en étoile et des écrous. Placez les roulettes (T) dans les logements.
7. Poussez la poignée (A) sur les montants verticaux tandis que vous appuyez sur les boutons de retenue.
8. Alignez le support de la cuve (J) dans la fente à l'arrière du chassis et serrez le bouton.

- Placez l'essieu à la verticale sur une surface dure et tapez un chapeau (O) en place avec un marteau. Placez une roue sur l'essieu et glissez-la jusqu'au chapeau. Passez l'essieu au travers du châssis arrière et mettez l'autre roue en place. Placez la cuve sur le chariot pour vérifier si le montage est correct. Fixez l'autre chapeau au bout de l'essieu avec un marteau.
- Glissez le tampon amortisseur (U) sur les logements de roulettes.
- Accrochez le panier (V) à la poignée en passant les crochets supérieurs sur la poignée et en fixant les pattes dans les trous des montants.

Fixation du support et des roulettes (No de cat. 8936-20)

Vous aurez simplement besoin d'un tournevis cruciforme.

- Faites glisser le support sur le bossage de fixation situé sur la partie inférieure du réservoir de l'aspirateur.
- Insérez les vis à tête cruciforme et serrez.
- Faites glisser les boîtiers des roulettes sur le bossage de fixation situé dans la partie inférieure du réservoir de l'aspirateur.
- Insérez les vis à tête cruciforme et serrez.
- Insérez les arbres des roulettes dans les trous de fixation situés dans la partie inférieure des boîtiers et du support et poussez jusqu'à ce qu'ils s'enclenchent.

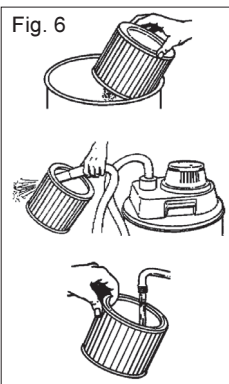
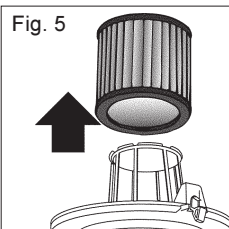
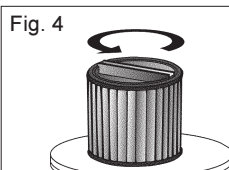


AVERTISSEMENT!

Afin de réduire le risque de blessures, débranchez toujours l'outil avant de retirer la tête de moteur.

Installation et nettoyage des filtres à cartouches

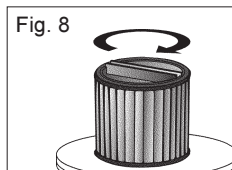
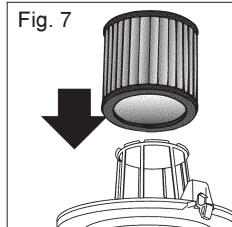
- Débranchez l'aspirateur.
- Pour retirer le filtre à cartouche, maintenez la base de la cage du couvercle d'une main et tournez le dispositif de maintien dans le sens anti-horaire pour le desserrer (Fig. 4).
Prudence: Manipulez la tête de moteur avec précaution. Le fait de laisser tomber la tête de moteur peut causer des dommages permanents.
- Retirez le filtre à cartouche de la tête du moteur (Fig. 5). Manipulez les filtres avec précaution lors de leur retrait pour nettoyage. Même un petit trou peut laisser la poussière s'échapper. N'utilisez pas un filtre percé ou déchiré. Remplacez-le immédiatement.
- Nettoyez le filtre (Fig. 6):



- Nettoyez le filtre à cartouche en le tapotant sur l'intérieur d'une poubelle ou en délogant la saleté par soufflage en utilisant l'orifice d'échappement.
- Nettoyez le filtre à cartouche en le rinçant de l'intérieur. Assurez-vous que le filtre est sec avant de l'utiliser pour collecter des matériaux secs.

Lorsqu'il est mouillé, le filtre à cartouche doit être retiré et séché pendant une durée de 24 heures avant d'être réinstallé sur la cage du filtre (pour éviter l'accumulation de moisissure).

- Faites glisser un filtre à cartouche propre sur la cage du filtre (Fig. 7).
- Placez un dispositif de retenue de filtre sur le filtre à cartouche.
- Maintenez la base de la cage du couvercle d'une main et tournez le dispositif de retenue dans le sens horaire pour le serrer (Fig. 8).



AVERTISSEMENT!

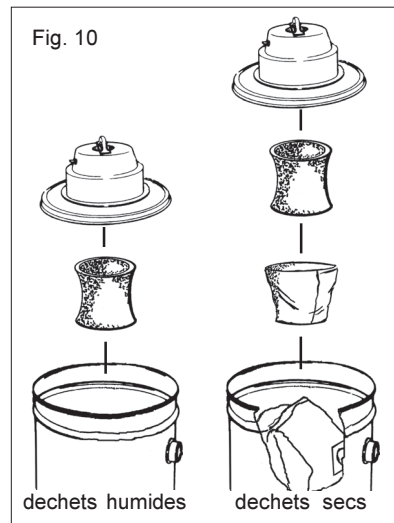
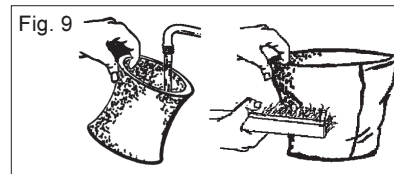
Afin de réduire le risque de blessures, débranchez toujours l'outil avant de retirer la tête de moteur.

Installation et nettoyage des filtres en mousse

- Débranchez l'aspirateur.
- Retirez la tête de moteur.

Prudence: Manipulez la tête de moteur avec précaution. Le fait de laisser tomber la tête de moteur peut causer des dommages permanents.

- Retirez le manchon du filtre en mousse (et le filtre en tissu, le cas échéant) de la tête de moteur.
- Nettoyez le manchon du filtre en mousse en le rinçant de l'intérieur. Assurez-vous que le filtre est sec avant de l'utiliser pour collecter des matériaux secs. Nettoyez les filtres en tissu en les secouant pour déloger les matériaux et en les brossant avec une brosse à poils doux (Fig. 9).
- Fixez le manchon du filtre en mousse propre à la tête de moteur (Fig. 10).

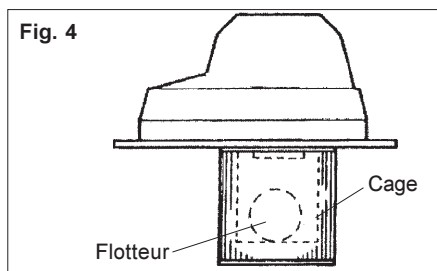


- Pour l'aspiration de matériau sec dans un sac filtrant, déployez le sac filtrant en papier et adaptez le collet en carton sur le tube de la prise d'air aussi loin que possible.
 - Pour l'aspiration de matériau sec en utilisant un manchon de filtre en mousse, il est aussi nécessaire d'utiliser le filtre en tissu.
- Remettez la tête de moteur en place et enclenchez les loquets.

Ramassage des déchets secs ou humides

Pour ramasser des déchets secs, la cartouche filtrante ou le manchon-filtre en mousse et le filtre en tissu sont requis. Il existe d'autres genres de filtres qui peuvent être ajoutés aux filtres requis pour assurer une meilleure filtration des déchets secs. Suivez les instructions qui accompagnent ces filtres. Videz la cuve et nettoyez les filtres fréquemment. Assurez-vous que les filtres soient secs avant de ramasser des déchets secs. Les déchets secs peuvent encrasser les filtres humides et les rendre difficiles à nettoyer.

Pour ramasser des déchets humides, la cartouche filtrante ou le manchon-filtre en mousse sont requis. Une soupape à flotteur arrête la succion lorsque la cuve est pleine. Pour que la soupape fonctionne bien, il faut que le flotteur soit propre et qu'il se déplace librement dans sa cage. Si vous ramassez une grande quantité de liquide, la cartouche filtrante pourra devenir saturée et une vapeur d'eau s'échappera de la sortie d'air. En tel cas, asséchez le filtre en laissant fonctionner l'aspirateur sans rien ramasser durant 10 minutes.



AVERTISSEMENT!

Si, malgré que le flotteur soit propre et libre, la succion n'arrête pas lorsque la cuve est pleine (vous apercevrez l'eau par la sortie d'air), faites réparer le moteur aspirant au centre-service **MILWAUKEE** le plus près.

Commencer et Arrêter le Vide

Pour mettre l'aspirateur en marche, placez l'interrupteur ON/OFF à la position ON.

Pour arrêter l'aspirateur, placez l'interrupteur ON/OFF à la position OFF.

Pour No de cat. 8936-20:

Pour allumer l'aspirateur, réglez l'interrupteur AUTO/ON/OFF sur la position ON. Pour éteindre l'aspirateur, réglez l'interrupteur AUTO/ON/OFF sur la position OFF. Pour allumer l'aspirateur automatiquement en utilisant un outil branché dans la prise située sur la tête du moteur, réglez l'interrupteur AUTO/ON/OFF sur la position AUTO.

Pour évacuer les liquides de la cuve

1. Débranchez l'aspirateur.
2. Enlevez le moteur filtrant et l'adaptateur pour déchets humides et mettez-les de côté.
3. Calez les roulettes.
4. Versez soigneusement le contenu de la cuve dans le siphon de sol.
5. Rincez et asséchez la cuve.

Ne rangez pas l'aspirateur sans avoir vidé la cuve. Pour assécher la cuve, laissez marcher l'aspirateur durant environ 10 minutes sans ramasser de déchets.

Utilisation de l'aspirateur comme soufflante (8950 & 8955 seul)



AVERTISSEMENT!

Pour minimiser les risques blessure, portez des lunettes de protection et un masque facial lorsque vous utilisez l'aspirateur comme soufflante.

Raccordez le boyau à vide à la sortie d'air du moteur aspirant sur le dessus de l'aspirateur. Attachez l'accessoire approprié au boyau et mettez le moteur en marche.

Utilisation de l'aspirateur pour nettoyer la poussière créée par les outils

De nombreux outils (tels que les ponceuses) sont conçus pour être utilisés avec des aspirateurs. Les aspirateurs attrapent la poussière avant qu'elle se suspende dans l'air ou se dépose au sol. Les aspirateurs équipés du réglage AUTO sont parfaits pour l'aspiration des poussières car leur réglage permet de les allumer et de les éteindre automatiquement à l'aide de l'interrupteur de l'outil. Les aspirateurs qui ne sont pas équipés du réglage AUTO peuvent également être utilisés pour aspirer la poussière. L'utilisateur devra alors simplement allumer et éteindre l'aspirateur.

Utilisation de l'aspirateur (sans interrupteur automatique) en tant que dispositif d'aspiration de la poussière pour un outil.

1. Connectez le tuyau de l'aspirateur au port de ramassage de la poussière de l'outil.
2. Allumez l'aspirateur.
3. Allumez l'outil.

Utilisation de l'aspirateur en tant que dispositif de ramassage de la poussière pour un outil équipé de (No de cat. 8936-20 uniquement)



AVERTISSEMENT!

Afin d'éviter tout risque d'incendie, d'électrocution ou de blessure: ne branchez aucun outil ou appareil de plus de 8 A dans la prise de l'aspirateur. Vérifiez le régime de l'outil sur l'étiquette de ce dernier. Afin d'éviter tout risque de blessure, l'outil doit être éteint avant de mettre l'interrupteur en position automatique.

1. Connectez le tuyau de l'aspirateur à l'outil.
2. Assurez-vous que l'interrupteur soit bien sur la position éteinte "O" (Off), puis branchez le cordon d'alimentation de l'outil (également éteint) dans la prise électrique située sur la tête du moteur de l'aspirateur.
3. Réglez l'interrupteur AUTO/ON/OFF sur la position AUTO. L'aspirateur se mettra en marche brièvement. Cette mise en marche est normale. L'aspirateur fonctionnera alors "sur commande".
4. Allumez l'outil et l'aspirateur se mettra en marche automatiquement quelques secondes plus tard. Eteignez l'outil et l'aspirateur s'arrêtera automatiquement quelques secondes plus tard.

La charge de la prise utilitaire contre la performance de l'aspirateur

Le conception unique de la caractéristique "sur commande" de cet appareil implique une variation au niveau de la performance d'aspiration suivant la quantité de courant soutirée de la prise utilitaire. Le circuit électronique règle automatiquement la puissance de l'aspirateur pour compenser la puissance soutirée de la prise utilitaire. Ce réglage permet à la consommation totale du système de rester dans les limites maximales de 12 ampères en accord avec les agences régulatrices pour la sécurité. Quelque soit la quantité de courant soutirée pour le travail utilitaire, le reste des 12 ampères est accordé à l'aspirateur afin de fournir la performance d'aspiration maximale permise pendant le travail. Dès que le travail utilitaire est terminé, l'aspirateur revient à sa puissance maximale pendant la durée qui précède son arrêt.

MAINTENANCE



AVERTISSEMENT!

Pour minimiser les risques de blessures, débranchez toujours l'outil avant d'y effectuer des travaux de maintenance. Ne faites pas vous-même le démontage de l'outil ni le rebobinage du système électrique. Consultez un centre de service **MILWAUKEE** accrédité pour toutes les réparations.

Entretien de l'outil

Gardez l'outil en bon état en adoptant un programme d'entretien ponctuel. Avant de vous en servir, examinez son état en général. Inspectez-en la garde, interrupteur, cordon et cordon de rallonge pour en déceler les défauts. Vérifiez le serrage des vis, l'alignement et le jeu des pièces mobiles, les vices de montage, bris de pièces et toute autre condition pouvant en rendre le fonctionnement dangereux. Si un bruit ou une vibration insolite survient, arrêtez immédiatement l'outil et faites-le vérifier avant de vous en servir de nouveau. N'utilisez pas un outil défectueux. Fixez-y une étiquette marquée « HORS D'USAGE » jusqu'à ce qu'il soit réparé (voir « Réparations »).

Normalement, il ne sera pas nécessaire de lubrifier l'outil avant que le temps ne soit venu de remplacer les balais. Après une période pouvant aller de 6 mois à un an, selon l'usage, retournez votre outil à un centre de service **MILWAUKEE** accrédité pour obtenir les services suivants :

- Lubrification
- Inspection et remplacement des balais
- Inspection et nettoyage de la mécanique (engrenages, pivots, coussinets, boîtier etc.)
- Inspection électrique (interrupteur, cordon, induit etc.)
- Vérification du fonctionnement électromécanique



AVERTISSEMENT!

Pour minimiser les risques de blessures, choc électrique et dommage à l'outil, n'immergez jamais l'outil et ne laissez pas de liquide s'y infiltrer.

Nettoyage

Débarrassez les événements des débris et de la poussière. Gardez les poignées de l'outil propres, à sec et exemptes d'huile ou de graisse. Le nettoyage de l'outil doit se faire avec un linge humide et un savon doux. Certains nettoyants tels l'essence, la térébenthine, les diluants à laque ou à peinture, les solvants chlorés, l'ammoniaque et les détergents d'usage domestique qui en contiennent pourraient détériorer le plastique et l'isolation des pièces. Ne laissez jamais de solvants inflammables ou combustibles auprès des outils.

Réparations

Si votre outil est endommagé, retournez l'outil entier au centre de maintenance le plus proche.

ACCESSOIRES



AVERTISSEMENT!

Pour minimiser les risques de blessures, débranchez toujours l'outil avant d'y installer ou d'en enlever les accessoires. L'emploi d'accessoires autres que ceux qui sont expressément recommandés pour cet outil peut présenter des risques.

Pour une liste complète des accessoires, prière de se reporter au catalogue **MILWAUKEE** Electric Tool ou visiter le site internet www.milwaukeetool.com. Pour obtenir un catalogue, il suffit de contacter votre distributeur local ou l'un des centres-service.

GARANTIE LIMITÉE DE L'OUTIL DE CINQ ANS

Tous les outils **MILWAUKEE** sont testés avant de quitter l'usine et sont garantis exempts de vice de matériau ou de fabrication. **MILWAUKEE** réparera ou remplacera (à la discrétion de **MILWAUKEE**), sans frais, tout outil (y compris les chargeurs de batterie) dont l'examen démontre le caractère défectueux du matériau ou de la fabrication dans les cinq (5) ans suivant la date d'achat. Retourner l'outil et une copie de la facture ou de toute autre preuve d'achat à une branche Entretien usine/Assistance des ventes de l'établissement **MILWAUKEE** ou à un centre d'entretien agréé par **MILWAUKEE**, en port payé et assuré. Cette garantie ne couvre pas les dommages causés par les réparations ou les tentatives de réparation par quiconque autre que le personnel agréé par **MILWAUKEE**, les utilisations abusives, l'usure normale, les carences d'entretien ou les accidents.

Les batteries, les lampes de poche et les radios sont garanties pour un (1) an à partir de la date d'achat.

LES SOLUTIONS DE RÉPARATION ET DE REMPLACEMENT DÉCRITES PAR LES PRÉSENTES SONT EXCLUSIVES. **MILWAUKEE** NE SAURAIT ÊTRE RESPONSABLE, EN AUCUNE CIRCONSTANCE, DES DOMMAGES ACCESSOIRES, SPÉCIAUX OU INDIRECTS, Y COMPRIS LES MANQUES À GAGNER.

CETTE GARANTIE EST EXCLUSIVE ET REMPLACE TOUTES LES AUTRES GARANTIES OU CONDITIONS, ÉCRITES OU ORALES, EXPRESSES OU TACITES DE QUALITÉ MARCHANDE OU D'ADAPTATION À UNE UTILISATION OU UNE FIN PARTICULIÈRE.

Cette garantie vous donne des droits particuliers. Vous pouvez aussi bénéficier d'autres droits variant d'un état à un autre et d'une province à une autre. Dans les états qui n'autorisent pas les exclusions de garantie tacite ou la limitation des dommages accessoires ou indirects, les limitations ou exclusions ci-dessus peuvent ne pas s'appliquer. Cette garantie s'applique aux États-Unis, au Canada et au Mexique uniquement.



¡ADVERTENCIA!

LEA Y ENTIENDA TODAS LAS INSTRUCCIONES

El no seguir las instrucciones a continuación puede ocasionar una descarga eléctrica, incendio y/o lesiones graves.

GUARDE ESTAS INSTRUCCIONES

Para reducir el riesgo del fuego, de descargas eléctricas o lesiones:

1. No desatienda el aparato mientras esté enchufado. Desenchúfelo cuando no lo esté utilizando y antes de darle mantenimiento.
2. No se utilice al aire libre o en superficies mojadas.
3. Se requiere vigilancia y cuidado extremos cuando se utilice cerca de los niños. No permita que se utilice como juguete.
4. Utilícese únicamente conforme a lo descrito en este manual. No emplee otros aditamentos más que los recomendados por el fabricante.
5. No lo use si el cordón o el enchufe están averiados. Si el aparato no está funcionando debidamente, se le ha caído, está averiado, se dejó a la intemperie o se cayó al agua, llévelo a un centro de reparaciones.
6. No lo cargue ni lo jale del cordón; no use el cordón como agarradera; no cierre la puerta sobre el cordón ni lo arrastre por orillas o esquinas filosas. No arrastre el aparato sobre el cordón. Mantenga el cordón alejado de superficies calientes.
7. No desenchufe el aparato tirando del cordón. Para desenchufarlo, tómelo del enchufe, no del cordón.
8. No toque el enchufe o el aparato con manos mojados.
9. No ponga ningún objeto en las ranuras o aberturas del aparato. No lo utilice cuando alguna de las aberturas esté bloqueada; manténgalas libres de polvo, pelusa, cabellos, o cualquier cosa que pueda disminuir el flujo de aire.
10. Mantenga su cabello, ropa suelta, dedos y en general todas partes del cuerpo lejos de las aberturas y de las partes móviles del aparato.
11. No use el aparato para recoger algo que esté quemándose o echando humo como cigarrillos, cerillas o cenizas calientes.
12. No lo use sin la bolsa ni los filtros necesarios.
13. Apague todos los controles antes de desconectar el aparato.
14. Sea muy cuidadoso cuando use el aparato para limpiar escaleras.
15. No lo use para recoger líquidos inflamables o combustibles como gasolina ni en áreas donde pueda haber este tipo de líquidos.
16. Conecte a tierra su aparato. Vea "Tierra".
17. La tintorería del vacío tiene los motores y otras partes que pueden producir las chispas durante el uso normal. No utilice dentro de 30 pies de áreas donde gases de explosivo pueden ser presentes (tal como bombas de gasolina y lugares donde líquidos aprecian thinners de pintura, la tintorería, los solventes, etc. se almacena).
18. Quite cuerda de poder siempre que cabeza de motor se quita del tanque.
19. No utilice en la presencia de líquidos ni vapores explosivos.
20. Para reducir el riesgo de peligros de salud de vapores o polvo, no limpie con aspiradora tóxica, carcinogénica u otras materias peligrosas tales como asbesto, el arsénico, bario, berilio, dirige, pesticidas u otra salud las materias de peligro de en que se ponen.
21. No utilice donde oxígeno ni anestésicos se utilizan.
22. Lleve calzado eléctricamente aislado, tal como botas de caucho, cuando limpie con aspiradora mojó la materia.
23. **¡ADVERTENCIA!** Algunas partículas de polvo resultantes del lijado mecánico, aserrado, esmerilado, taladrado y otras actividades relacionadas a la construcción, contienen sustancias químicas que se saben ocasionan cáncer, defectos congénitos u otros daños al aparato reproductivo. A continuación se citan algunos ejemplos de tales sustancias químicas:
 - plomo proveniente de pinturas con base de plomo
 - sílice cristalino proveniente de ladrillos, cemento y otros productos de albañilería y
 - arsénico y cromo provenientes de madera químicamente tratada.El riesgo que usted sufre debido a la exposición varía dependiendo de la frecuencia con la que usted realiza estas tareas. Para reducir la exposición a estas sustancias químicas: trabaje en un área bien ventilada, y utilice equipo de seguridad aprobado como, por ejemplo, máscaras contra el polvo que hayan sido específicamente diseñadas para filtrar partículas microscópicas.

LEA Y GUARDE TODAS LAS INSTRUCCIONES PARA FUTURAS REFERENCIAS.

Symbology

	Underwriters Laboratories, Inc.
	Canadian Standards Association
Hz	Hertz
A	Amperios

Specifications

Cat. No.	Voltios AC	A	Para Materiales	capacidad del tanque en galones	flujo de aire en pies cubicos por minuto	aspiracion sellada de angua
8936-20	120	12*	materiales	7,5	159	59"
8938-20	120	7,4	mojados o	9	102	84"
8950	120	8,0	secos	8	143	45"
8955	120	8,0		10	143	45"

*Para el Cat. No. 8936-20 con salida de onboard:

La unidad entera se valora en 12A. El motor del vacío se valora en 9,5A. La salida en la cabeza motriz se valora en 8A.

DESCRIPCION FUNCIONAL

1. Mango
2. Orificio de escape
3. Pestillo del tanque
4. Puerto de entrada
5. Tanque
6. Tomacorriente de la read electrica local (Cat. No. 8936-20 solo)



TIERRA



¡ADVERTENCIA!

Puede haber riesgo de descarga eléctrica si se conecta el cable de conexión de puesta a tierra incorrectamente. Consulte con un electricista certificado si tiene dudas respecto a la conexión de puesta a tierra del tomacorriente. No modifique el enchufe que se proporciona con la herramienta. Nunca retire la clavija de conexión de puesta a tierra del enchufe. No use la herramienta si el cable o el enchufe está dañado. Si está dañado antes de usarlo, llévelo a un centro de servicio **MILWAUKEE** para que lo reparen. Si el enchufe no se acopla al tomacorriente, haga que un electricista certificado instale un tomacorriente adecuado.

Herramientas con conexión a tierra:

Herramientas con enchufes de tres clavijas

Las herramientas marcadas con la frase "Se requiere conexión de puesta a tierra" tienen un cable de tres hilos y enchufes de conexión de puesta a tierra de tres clavijas. El enchufe debe conectarse a un tomacorriente debidamente conectado a tierra (véase la Figura A). Si la herramienta se avería o no funcionara correctamente, la conexión de puesta a tierra proporciona un trayecto de baja resistencia para desviar la corriente eléctrica de la trayectoria del usuario, reduciendo de este modo el riesgo de descarga eléctrica.

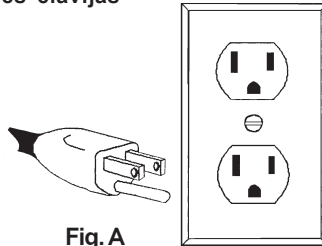


Fig. A

La clavija de conexión de puesta a tierra en el enchufe está conectada al sistema de conexión de puesta a tierra de la herramienta a través del hilo verde dentro del cable. El hilo verde debe ser el único hilo conectado al sistema de conexión de puesta a tierra de la herramienta y nunca se debe unir a una terminal energizada.

Su herramienta debe estar enchufada en un tomacorriente apropiado, correctamente instalado y conectado a tierra según todos los códigos y reglamentos. El enchufe y el tomacorriente deben asemejarse a los de la Figura A.

Herramientas con doble aislamiento:

Herramientas con clavijas de dos patas

Las herramientas marcadas con "Doble aislamiento" no requieren conectarse "a tierra". Estas herramientas tienen un sistema aislante que satisface los estándares de OSHA y llena los estándares aplicables de UL (Underwriters Laboratories, Inc.), de la Asociación Canadiense de Estándares (CSA) y el Código Nacional de Electricidad. Las herramientas con doble aislamiento pueden ser usadas en cualquiera de los toma corriente de 120 Volt mostrados en las Figuras B y C.

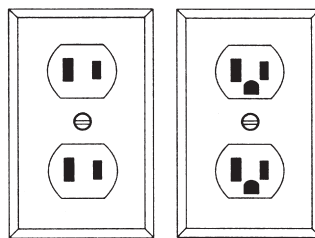


Fig. B

Fig. C

EXTENSIONES ELÉCTRICAS

Las herramientas que deben conectarse a tierra cuentan con clavijas de tres patas y requieren que las extensiones que se utilicen con ellas sean también de tres cables. Las herramientas con doble aislamiento y clavijas de dos patas pueden utilizarse indistintamente con extensiones de dos a tres cables. El calibre de la extensión depende de la distancia que exista entre la toma de la corriente y el sitio donde se utilice la herramienta. El uso de extensiones inadecuadas puede causar serias caídas en el voltaje, resultando en pérdida de potencia y posible daño a la herramienta. La tabla que aquí se ilustra sirve de guía para la adecuada selección de la extensión.

Mientras menor sea el número del calibre del cable, mayor será la capacidad del mismo. Por ejemplo, un cable calibre 14 puede transportar una corriente mayor que un cable calibre 16. Cuando use más de una extensión para lograr el largo deseado, asegúrese que cada una tenga al menos, el mínimo tamaño de cable requerido. Si está usando un cable de extensión para más de una herramienta, sume los amperes de las varias placas y use la suma para determinar el tamaño mínimo del cable de extensión.

Guías para el uso de cables de extensión

- Si está usando un cable de extensión en sitios al aire libre, asegúrese que está marcado con el sufijo "W-A" ("W" en Canadá) el cual indica que puede ser usado al aire libre.
- Asegúrese que su cable de extensión está correctamente cableado y en buenas condiciones eléctricas. Cambie siempre una extensión dañada o hágala reparar por una persona calificada antes de volver a usarla.
- Proteja su extensión eléctrica de objetos cortantes, calor excesivo o áreas mojadas.

Calibre mínimo recomendado para cables de extensiones eléctricas*

Amperios (En la placa)	Largo de cable de Extensión en (m)					
	7,6	15,2	22,8	30,4	45,7	60,9
0 - 5,0	16	16	16	14	12	12
5,1 - 8,0	16	16	14	12	10	--
8,1 - 12,0	14	14	12	10	--	--
12,1 - 15,0	12	12	10	10	--	--
15,1 - 20,0	10	10	10	--	--	--

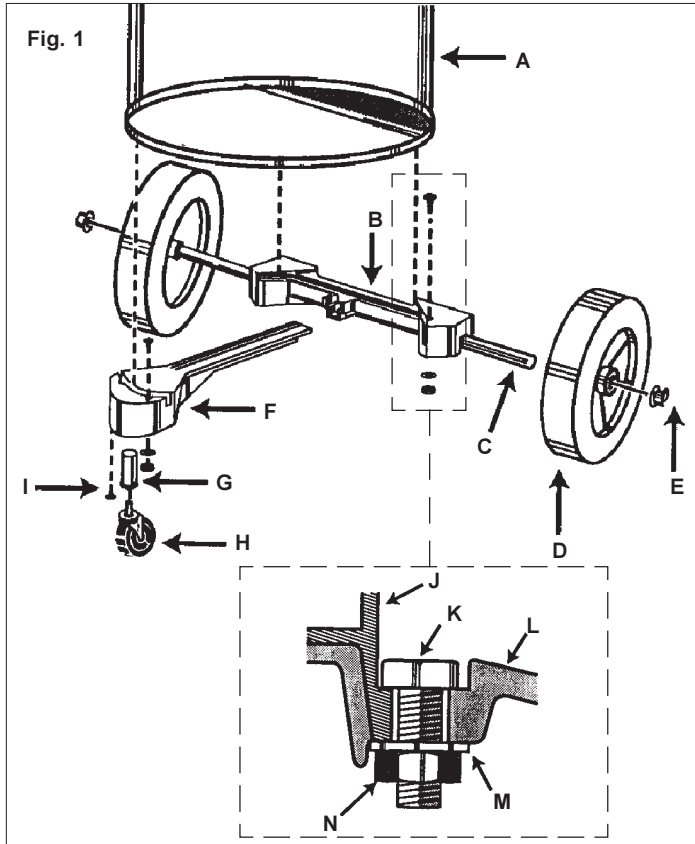
* Basado en limitar la caída en el voltaje a 5 volts al 150% de los amperios.

LEA Y GUARDE TODAS LAS INSTRUCCIONES PARA FUTURAS REFERENCIAS.

ENSAMBAJA DE LA HERRAMIENTA

Ensamblaje de la carretilla (Cat. No. 8955)(Fig.1)

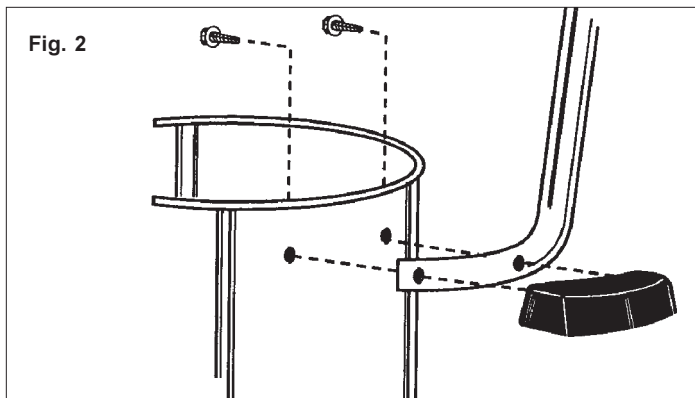
Ensamble como se muestra en el diagrama. Necesitará un martillo y un destornillador Philips.



1. Coloque las ruedas en el bastidor trasero (B) dando golpecitos en el eje (C), encajando la rueda (D) en el eje y colocando un capuchón roscado (E) con un martillo.
2. Inserte las piezas de las ruedecillas (G) en el bastidor delantero (F) y asegúrelas con el destornillador Philips (I).
3. Alinee el bastidor frontal (F) y el bastidor trasero (B) de manera que encajen y hagan encajar el borde del tanque (J) un las ranuras de los bastidores frontal y trasero.
4. Asegure los bastidores (B y F) en el tanque colocando los pernos hexagonales (K) a través de los agujeros de la carretilla y asegurándolos con tuerca (N) y arandela (M) según se muestra.
5. Inserte las ruedecillas (H) en las piezas de las ruedecillas (G) y apriete hasta que las ruedecillas encajen.

Instalación del mango (Cat. No. 8955) (Fig. 2)

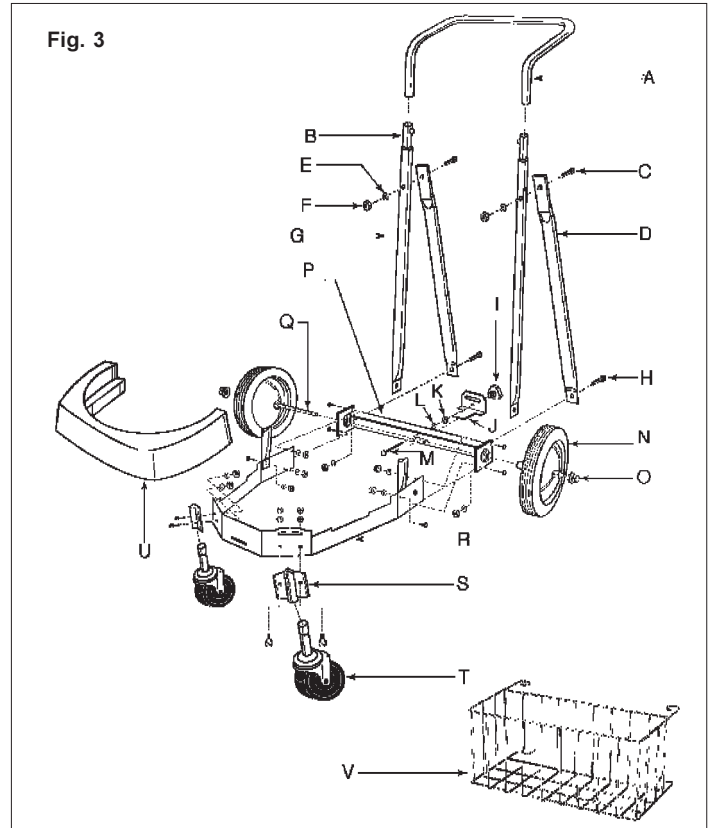
Necesitará ya sea un destornillado de punta plana, un llave tubular, una llave inglesa, o un par de alicates.



1. Coloque el mango de la carretilla entre el tanque y el mango lateral a cada lado del tanque.
2. Apriete firmemente con tornillos de cabeza hexagonal ranurada.

Montaje de la carretilla (Cat. No. 8938-20) (Fig. 3)

Monte tal como se muestra en el diagrama. Se necesitan un martillo, dos llaves de boca de 1/2" y dos llaves de 7/16".



1. Inserte el perno de 2-1/2" (M) por la abertura central en el bastidor posterior (P), sujétela arandela de seguro (L) y las tuerca (K) y apriételos firmemente.
2. Sujete las riostras de soporte (D) a la parte posterior del bastidor trasero (P) con el perno, las arandelas tipo estrella y las tuercas (apriételos solamente con los dedos).
3. Coloque el bastidor principal en el bastidor trasero. Sujételo con dos pernos, arandelas tipo estrella y tuercas de 5/8", en cada lado (G).
4. Sujete los soportes del mango en el bastidor principal (Q). (Asegúrese que los botones en la parte superior dan hacia adentro y utilice los pernos, arandelas tipo estrella y tuercas de 5/8". apriételos solamente con los dedos). Alinee las aberturas en la parte superior de las riostras (D) con la abertura en los soportes del mango (G). Sujételos con pernos, arandelas tipo estrella y tuercas de 1-3/8", y apriételos firme mente.
5. Apriete los pernos en la parte inferior de los soportes y las riostras (D).
6. Sujete las placas del soquete de ruedas (extremo abierto hacia abajo) a la parte delantera de bastidor principal (R), utilizando los pernos, arandelas tipo estrella y tuercas de 5/8" e inserte los ruedecitos (T) en los manguitos.
7. Sujete el mango (A) en los soportes presionando hacia abajo y apretando los botones.
8. Coloque la abrazadera de retención del tanque (J) en la ranura de la parte trasera del bastidor posterior y atornille la perilla.

- Coloque el soporte de eje en una superficie dura y dé golpecitos con un martillo en una tuerca de sombrero. Coloque una rueda en el eje y deslice en la tuerca de sombrero. Deslice el eje por la parte posterior del bastidor y la otra rueda sobre el eje. Golpee suavemente con un martillo en la segunda tuerca sobre el eje después de verificar que el bastidor esté montado de forma correcta colocando, el tanque sobre la carretilla.
- Deslice el protector (U) sobre las placas de manguito hasta que se encaje en su lugar.
- Coloque el cesto (V) sobre el mango con los ganchos superiores alrededor del mismo y con las puntas inferiores en las aberturas del mango.

Cómo agregar una Caja cargadora y ruedas (Cat. No. 8936-20)

Usted sólo necesitará un destornillador Phillips.

- Deslice la caja cargadora por sobre los refuerzos de fijación en la parte inferior del tanque de la aspiradora.
- Instale los tornillos phillips y apriete.
- Deslice la caja de las ruedas por sobre los refuerzos de fijación en la parte inferior del tanque de la aspiradora.
- Instale los tornillos phillips y apriete.
- Empuje la barra de las ruedas en los orificios de fijación en la parte inferior de la caja de las ruedas y en la parte inferior de la caja cargadora hasta que escuche un clic.

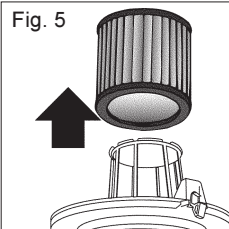
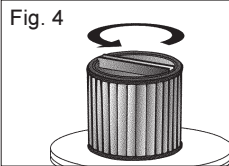


¡ADVERTENCIA!

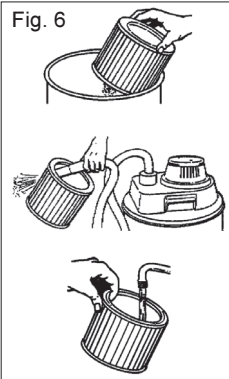
Para reducir el riesgo de que se produzcan lesiones, desenchufe siempre el aparato antes de retirar el cabezal del motor.

Instalación y limpieza de los filtros de cartucho

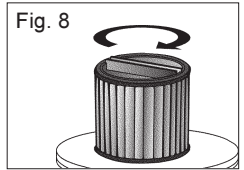
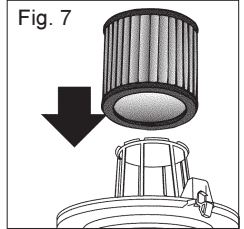
- Desenchufe la aspiradora.
 - Para desmontar el filtro y proceder a su limpieza, sujete la base de la jaula del filtro con una mano y gire la cubierta de retención en el sentido de las agujas del reloj para aflojarla (Fig. 4).
- Precaución: Vaya con cuidado cuando manipule el cabezal del motor, ya que si deja caer se puede dañar de forma permanente.
- Retire el filtro de cartucho del cabezal del motor (Fig. 5). Manipule los filtros con cuidado cuando los retire para limpiarlos. Se puede producir un escape de polvo incluso a través de un agujero muy pequeño. No utilice un filtro que esté agujereado o roto. Sustitúyalo de inmediato.



- Limpie el filtro (Fig. 6):
 - Si se trata de un filtro de cartucho seco, límpielo golpeándolo contra el interior de un contenedor de residuos o inyecte aire a través del orificio de escape para eliminar la suciedad.
 - Si se trata de un filtro de cartucho húmedo, límpielo con agua desde el interior. Asegúrese de que el filtro esté seco antes de utilizarlo para aspirar material seco.



- Deslice el filtro de cartucho limpio por encima de la jaula del filtro (Fig. 7).
- Coloque el retenedor del filtro en la parte superior del filtro de cartucho.
- Sujete la base de la jaula del filtro con una mano y gire el retenedor en el sentido de las agujas del reloj para apretarlo (Fig. 8).



¡ADVERTENCIA!

Para reducir el riesgo de que se produzcan lesiones, desenchufe siempre el aparato antes de retirar el cabezal del motor.

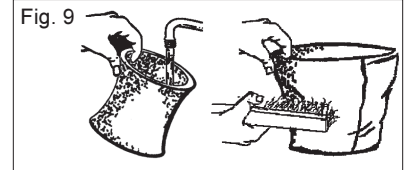
Instalación y limpieza de los filtros de espuma

- Desenchufe la aspiradora.
- Retire el cabezal del motor.

Precaución: Vaya con cuidado cuando manipule el cabezal del motor, ya que si deja caer se puede dañar de forma permanente.

- Retire la funda del filtro de espuma (y el filtro de tela, si está presente) del cabezal del motor.

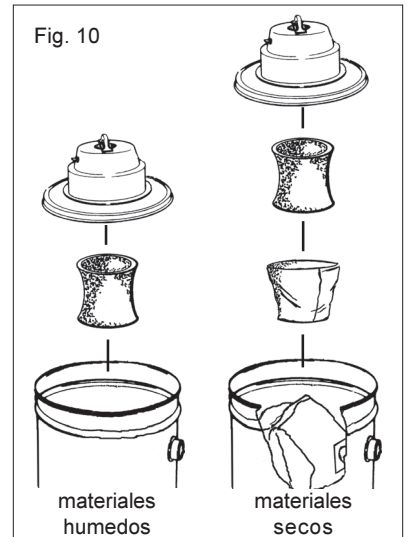
- Limpie la funda del filtro de espuma con agua desde el interior. Asegúrese de que el filtro esté seco antes de utilizarlo para aspirar material seco. Sacuda los filtros de tela para desprender la suciedad y límpielos con un cepillo de cerdas blandas (Fig. 9).



- Coloque la funda limpia del filtro de espuma en el cabezal del motor (Fig. 10).
 - Si va a aspirar material seco hacia una bolsa del filtro, expanda la bolsa de papel del filtro y deslice el collarín de cartón sobre el tubo de entrada tanto como sea posible.

- Si va a aspirar material seco y está utilizando la funda del filtro de espuma, también debe usar el filtro de tela.

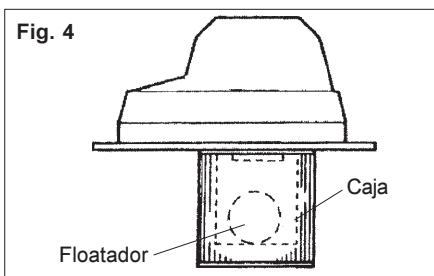
- Vuelva a colocar el cabezal del motor y cierre los pestillos del tanque.



Aspirar materiales secos o húmedos

Al aspirar materiales secos, se requiere ya sea el cartucho de filtros o el manguito de caucho de los filtros Y el filtro de tela. Hay otros tipos de filtros que se pueden utilizar con los filtros requeridos para proporcionar filtración adicional cuando se aspira materiales secos. Siga las instrucciones que se incluyen con estos filtros. Vacíe el tanque y limpie los filtros con frecuencia. Asegúrese de que los filtros estén secos antes de usar la aspiradora para recoger material seco. El material seco atasca los filtros húmedos y hace que sea difícil limpiarlos.

Al aspirar materiales húmedos, se requiere ya sea el cartucho de filtros o el manguito de caucho de los filtros. Una válvula de flotador cierra la succión cuando el tanque está lleno. Asegúrese de que el flotador está limpio y se mueve libremente en la caja del flotador para asegurar que la válvula del flotador funciona. Si está aspiradora un gran cantidad de líquido, el cartucho de filtro se puede saturar y puede salir como una neblina por el orificio de escape. Si esto ocurre, seque el filtro haciendo funcionar la aspiradora durante 10 minutos sin aspirar nada.



¡ADVERTENCIA!

Si el flotador está limpio y se mueve libremente y sin embargo la succión no se cierra cuando el tanque se llena (lo puede notar si ve agua en el orificio de escape), envíe la parte superior del motor a la instalación de servicios de reparación **MILWAUKEE** más cercana.

Comenzar y Parar el Vacío

Para encender la aspiradora, ponga el interruptor ON/OFF en la posición ON.

Para apagar la aspiradora, ponga el interruptor ON/OFF en la posición OFF.

Cat. No. 8936-20:

Para encender la aspiradora, coloque el interruptor AUTO/OFF/ON (automático/apagado/ encendido) en la posición ON. Para apagar la aspiradora, coloque el interruptor AUTO/OFF/ON en la posición OFF. Para encender la aspiradora automáticamente, utilizando una herramienta conectada en la salida de la cabeza del motor, coloque el interruptor en la posición AUTO.

Cómo sacar el líquido del tanque de la aspiradora

1. Desconecte la aspiradora.
2. Retire la parte superior del motor y el adaptador húmedo y póngalos aparte.
3. Bloquee las ruedas.
4. Vacíe cuidadosamente el contenido en el desagüe del piso.
5. Enjuague y seque el tanque

No guarde la aspiradora si tiene líquido dentro. Haga funcionar la aspiradora durante unos 10 minutos sin recoger nada para secar el interior del tanque.

Para utilizar la aspiradora como un soplador (8950 & 8955 Solo)



¡ADVERTENCIA!

Para reducir el riesgo de lesiones: use gafas protectoras y una mascarilla contra el polvo al utilizar las aspiradoras como sopladores.

Conecte la salida de escape de la manguera a la parte superior de la aspiradora; conecte el accesorio apropiado en la manguera y encienda la aspiradora.

Cómo utilizar una aspiradora para recolectar el polvo que producen otras herramientas.

Muchas herramientas (tales como las lijadoras) son diseñadas de modo que puedan ser utilizadas con una aspiradora. Las aspiradoras recogen el polvo creado por estas herramientas antes que entre en contacto con el aire o caiga sobre el suelo. Las aspiradoras con AUTO fijación son ideales par recolectar el polvo ya que pueden ser configuradas para que se enciendan y se apaguen, utilizando el interruptor de encendido de la herramienta. Las aspiradoras sin AUTO fijación también pueden ser utilizadas como recolectoras de polvo. El operador simplemente tendrá que encenderla y apagarla.

Como utilizar las aspiradoras (sin un interruptor automático) como un mecanismo recolector de polvo para herramientas.

1. Conecte la manguera para aspirar a la conexión para recolección de polvo de la herramienta.
2. Encienda la aspiradora.
3. Encienda la herramienta.

Para utilizar una aspiradora como mecanismo de recolección de polvo para una herramienta (Sólo para Cat. No. 8936-20)



¡ADVERTENCIA!

Para reducir el riesgo de incendios, choques eléctricos o heridas: No conecte ninguna herramienta o aparato electrodoméstico estimado por sobre los 8A en el enchufe de la aspiradora. Revise la placa de la herramienta para verificar el amperaje. Para reducir el riesgo de accidentes, la herramienta debe estar apagada antes de colocar el interruptor en la posición "auto".

1. Conecte la manguera de aspiración en la herramienta.
2. Con el interruptor de encendido en la posición "O" (Off/apagado), conecte el cable de energía de la herramienta (también apagada) en el enchufe eléctrico de la cabeza del motor de la aspiradora.
3. Coloque el interruptor AUTO/OFF/ON (automático/apagado/ encendido) en la posición AUTO. La aspiradora funcionará por unos segundos. Esto es normal. Ahora, la aspiradora funcionará "A pedido".
4. Encienda la herramienta y la aspiradora se encenderá automáticamente unos segundos más tarde. Al apagar la herramienta la aspiradora se detendrá automáticamente unos segundos más después.

Carga del tomacorriente general v/s Rendimiento de la aspiradora

El diseño único de la característica "a pedido" de esta unidad, afectará el rendimiento de la aspiradora con el monto de corriente consumido desde el tomacorriente general. El circuito ajustará automáticamente la energía de la aspiradora, unidad para compensar la energía que está siendo consumida desde el tomacorriente general. Este ajuste permite a todo el sistema de consumo de corriente permanecer dentro del máximo de 12 Amps de las agencias regulatorias de seguridad. Cualquiera sea el monto de corriente que esté siendo consumido para el trabajo de servicio, el resto de los 12 Amps permite a la unidad entregar el máximo permisible de rendimiento de la aspiradora durante el trabajo. Tan pronto como se detenga el trabajo desde el tomacorriente general, la aspiradora volverá a su energía completa durante el periodo antes de apagarla.

MANTENIMIENTO



¡ADVERTENCIA!

Para reducir el riesgo de lesiones, desconecte siempre la herramienta antes de darle cualquier mantenimiento. Nunca desarme la herramienta ni trate de hacer modificaciones en el sistema eléctrico de la misma. Acuda siempre a un Centro de Servicio *MILWAUKEE* para TODAS las reparaciones.

Mantenimiento de las herramientas

Adopte un programa regular de mantenimiento y mantenga su herramienta en buenas condiciones. Antes de usarla, examine las condiciones generales de la misma. Inspeccione guardas, interruptores, el cable de la herramienta y el cable de extensión. Busque tornillos sueltos o flojos, defectos de alineación y dobleces en partes móviles, así como montajes inadecuados, partes rotas y cualquier otra condición que pueda afectar una operación segura. Si detecta ruidos o vibraciones anormales, apague la herramienta de inmediato y corrija el problema antes de volver a usarla. No utilice una herramienta dañada. Colóquese una etiqueta que diga "NO DEBE USARSE" hasta que sea reparada (vea "Reparaciones").

Bajo condiciones normales, no se requiere lubricación hasta que haya que cambiar los carbones. Después de 6 meses a un año, dependiendo del uso dado, envíe su herramienta al Centro de Servicio *MILWAUKEE* más cercano para que le hagan:

- Lubricación
- Inspección y cambio de carbones
- Inspección mecánica y limpieza (engranes, flechas, baleros, carcara, etc.)
- Inspección eléctrica (interruptor, cable, armadura, etc.)
- Probarla para asegurar una operación mecánica y eléctrica adecuada.



¡ADVERTENCIA!

Para reducir el riesgo de lesiones, descarga eléctrica o daño a la herramienta, nunca la sumerja en líquidos ni permita que estos fluyan dentro de la misma.

Limpieza

Limpie el polvo y suciedad de las ventilas. Mantenga las empuñaduras de la herramienta limpias, secas y libres de aceite y grasa. Use sólo jabón neutro y un trapo húmedo para limpiar su herramienta ya que algunas sustancias y disolventes limpiadores pueden ocasionar daños a materiales plásticos y partes aislantes. Algunos de estos incluyen: gasolina, trementina, diluyente para barniz, diluyente para pintura, disolventes limpiadores clorados, amoníaco, y detergentes caseros que contengan amoníaco.

Reparaciones

Si su instrumento se daña, vuelva el instrumento entero al más cercano centro de reparaciones.

ACCESORIOS



¡ADVERTENCIA!

Para reducir el riesgo de lesiones, desconecte siempre su herramienta antes de colocar o retirar un accesorio. Use solo accesorios recomendados específicamente. Otros pueden ser peligrosos.

Para una lista completa de accesorios, refiérase a su catálogo *MILWAUKEE* Electric Tool o visite nuestro sitio en Internet: www.milwaukeetool.com. Para obtener un catálogo, contacte su distribuidor local o uno de los centros.

GARANTÍA LIMITADA DE CINCO AÑOS

Todas las herramientas *MILWAUKEE* se prueban antes de abandonar la fábrica y se garantiza que no presentan defectos ni en el material ni de mano de obra. En el plazo de cinco (5) años a partir de la fecha de compra *MILWAUKEE* reparará o reemplazará (a discreción de *MILWAUKEE*), sin cargo alguno, cualquier herramienta (cargadores de baterías inclusive) cuyo examen determine que presenta defectos de material o de mano de obra. Devuelva la herramienta, con gastos de envío prepagados y asegurada, y una copia de la factura de compra, u otro tipo de comprobante de compra, a una sucursal de reparaciones/ventas de la fábrica *MILWAUKEE* o a un centro de reparaciones autorizado por *MILWAUKEE*. Esta garantía no cubre los daños ocasionados por reparaciones o intentos de reparación por parte de personal no autorizado por *MILWAUKEE*, abuso, desgaste y deterioro normal, falta de mantenimiento o accidentes.

Las baterías, linternas y radios tienen una garantía de un (1) año a partir de la fecha de compra.

LOS DERECHOS A REPARACIÓN Y REEMPLAZO DESCRITOS EN EL PRESENTE DOCUMENTO SON EXCLUSIVOS. *MILWAUKEE* NO SERÁ EN NINGÚN CASO RESPONSABLE DE DAÑOS INCIDENTALES, ESPECIALES O CONSECUENTES, INCLUYENDO LA PÉRDIDA DE GANANCIAS.

ESTA GARANTÍA ES EXCLUSIVA Y SUSTITUYE A TODA OTRA GARANTÍA, O CONDICIONES, ESCRITAS U ORALES, EXPRESAS O IMPLÍCITAS DE COMERCIALIZACIÓN O IDONEIDAD PARA UN USO O FIN DETERMINADO.

Esta garantía le proporciona derechos legales específicos. Es posible que usted tenga otros derechos que varían de estado a estado y de provincia a provincia. En aquellos estados que no permiten la exclusión de garantías implícitas o la limitación de daños incidentales o consecuentes, las limitaciones anteriores pueden que no apliquen. Esta garantía es válida solamente en los Estados Unidos, Canadá y México.

NOTES

UNITED STATES

MILWAUKEE Service

MILWAUKEE prides itself in producing a premium quality product that is **NOTHING BUT HEAVY DUTY®**.

Your satisfaction with our products is very important to us!

If you encounter any problems with the operation of this tool, or you would like to locate the *factory Service/Sales Support Branch* or *authorized service station* nearest you, please call...

1-800-SAWDUST

(1.800.729.3878)

NATIONWIDE TOLL FREE

Monday-Friday • 8:00 AM - 4:30 PM • Central Time
or visit our website at

www.milwaukeetool.com

For service information, use the 'Service Center Search' icon found in the 'Parts & Service' section.

Additionally, we have a nationwide network of *authorized* Distributors ready to assist you with your tool and accessory needs. Check your "Yellow Pages" phone directory under "Tools-Electric" for the names & addresses of those nearest you or see the 'Where To Buy' section of our website.

Corporate After Sales Service - Technical Support
Brookfield, Wisconsin USA

•Technical Questions •Service/Repair Questions •Warranty

1-800-SAWDUST

(1.800.729.3878)

fax:1.800.638.9582

email: metproductsupport@milwaukeetool.com

Monday-Friday • 8:00 AM - 4:30 PM • Central Time

CANADA

Service MILWAUKEE

MILWAUKEE est fier de proposer un produit de première qualité **NOTHING BUT HEAVY DUTY®**. Votre satisfaction est ce qui compte le plus!

En cas de problèmes d'utilisation de l'outil ou pour localiser le centre de service/ventes ou le *centre d'entretien* le plus proche, appelez le...

416.439.4181

fax: 416.439.6210

Milwaukee Electric Tool (Canada) Ltd

755 Progress Avenue

Scarborough, Ontario M1H 2W7

Notre réseau national de distributeurs *agréés* se tient à votre disposition pour fournir l'aide technique, l'outillage et les accessoires nécessaires. Composez le 416.439.4181 pour obtenir les noms et adresses des revendeurs les plus proches ou bien consultez la section «Où acheter» sur notre site web à l'adresse

www.milwaukeetool.com

MEXICO

Soporte de Servicio MILWAUKEE

Milwaukee Electric Tool, S.A. de C.V.

Bldv. Abraham Lincoln no. 13

Colonia Los Reyes Zona Industrial

Tlalnepantla, Edo. México C.P. 54073

Tel. (55) 5565-1414 Fax: (55) 5565-6874

Adicionalmente, tenemos una red nacional de distribuidores autorizados listos para ayudarle con su herramienta y sus accesorios. Por favor, llame al (55) 5565-1414 para obtener los nombres y direcciones de los más cercanos a usted, o consulte la sección 'Where to buy' (Dónde comprar) de nuestro sitio web en

www.milwaukeetool.com

87513-80

MILWAUKEE ELECTRIC TOOL CORPORATION

13135 West Lisbon Road • Brookfield, Wisconsin, U.S.A. 53005