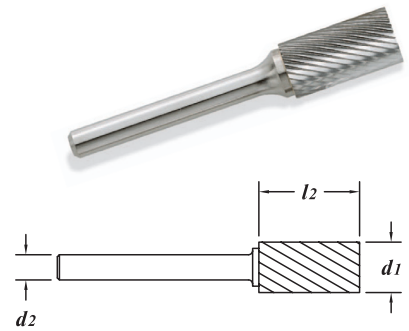


# SA (1/4" Steel Shank)

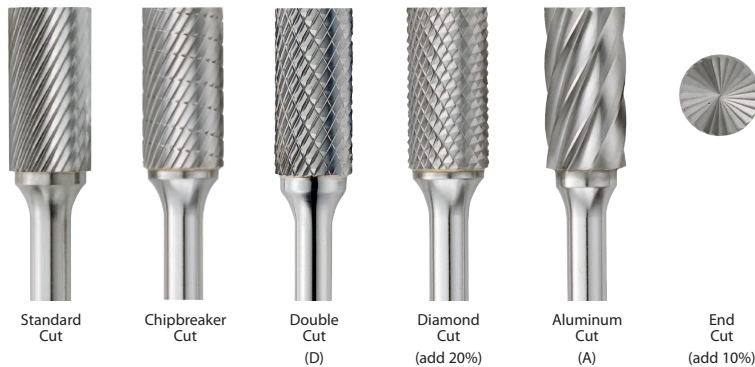
## Carbide Rotary Files - Cylindrical Shape

Submicron Grain Carbide  
 A - Aluminum Cut  
 D - Double Cut  
 \* - Solid Carbide



EDP#	TOOL #	$d_1$ † Diameter		$d_2$ Shank Diameter	$l_2$ Flute Length	1-11	12-24	25-49	50-100	
		Decimal	Metric							
60010	* SA-14	.1875	3/16"	4.763	1/4"	5/8"	9.10	8.70	8.31	7.91
60012	* SA-14D	.1875	3/16"	4.763	1/4"	5/8"	9.10	8.70	8.31	7.91
60020	* SA-1	.2500	1/4"	6.350	1/4"	5/8"	8.10	7.74	7.39	7.04
60021	* SA-1A	.2500	1/4"	6.350	1/4"	5/8"	10.17	9.72	9.28	8.84
60022	* SA-1D	.2500	1/4"	6.350	1/4"	5/8"	8.10	7.74	7.39	7.04
60030	SA-2	.3125	5/16"	7.938	1/4"	3/4"	11.32	10.82	10.33	9.84
60032	SA-2D	.3125	5/16"	7.938	1/4"	3/4"	11.32	10.82	10.33	9.84
60040	SA-3	.3750	3/8"	9.525	1/4"	3/4"	12.19	11.66	11.13	10.60
60041	SA-3A	.3750	3/8"	9.525	1/4"	3/4"	16.41	15.70	14.98	14.27
60042	SA-3D	.3750	3/8"	9.525	1/4"	3/4"	12.19	11.66	11.13	10.60
60050	SA-4	.4375	7/16"	11.113	1/4"	1"	16.84	16.10	15.37	14.64
60052	SA-4D	.4375	7/16"	11.113	1/4"	1"	16.84	16.10	15.37	14.64
60060	SA-5	.5000	1/2"	12.700	1/4"	1"	17.96	17.18	16.40	15.62
60061	SA-5A	.5000	1/2"	12.700	1/4"	1"	23.28	22.26	21.25	20.24
60062	SA-5D	.5000	1/2"	12.700	1/4"	1"	17.96	17.18	16.40	15.62
60070	SA-6	.6250	5/8"	15.875	1/4"	1"	21.76	20.81	19.87	18.92
60071	SA-6A	.6250	5/8"	15.875	1/4"	1"	36.47	34.88	33.30	31.71
60072	SA-6D	.6250	5/8"	15.875	1/4"	1"	21.76	20.81	19.87	18.92
60080	SA-7	.7500	3/4"	19.050	1/4"	1"	34.44	32.95	31.45	29.95
60081	SA-7A	.7500	3/4"	19.050	1/4"	1"	41.32	39.52	37.73	35.93
60082	SA-7D	.7500	3/4"	19.050	1/4"	1"	34.44	32.95	31.45	29.95
60090	SA-9	1.000	1"	25.400	1/4"	1"	46.99	44.95	42.90	40.86
60091	SA-9A	1.000	1"	25.400	1/4"	1"	56.35	53.90	51.45	49.00
60092	SA-9D	1.000	1"	25.400	1/4"	1"	46.99	44.95	42.90	40.86

### Basic Rotary File Cut Styles Available



Double Cut and Aluminum Cut rotary files are in stock where indicated by (D) and (A) in the catalog tables.