

**TROLLEYS & BEAM CLAMPS**

**ET-A Trolley**

**COFFING ET-A Model** - The economical choice for most commercial and light-duty industrial applications. The ET-A can be modified to fit a variety of beam styles and sizes, up to an 8" flange width.

- **CAPACITIES** - Rated loads from 1/4 to 5 Tons.
- **ECONOMICAL** - Excellent low cost choice for most manual and light-duty powered applications
- **UNIVERSAL HANGING CLEVIS** - Accepts all Coffing hook-mounted hoists.
- **ADJUSTABLE** - Trolley is easily adjusted to fit any tapered or flat beam flange within range of adjustment, up to an 8" flange width.
- **WRAP-AROUND SIDE PLATES** - Act as safety lugs to increase operator safety and act as bumpers to protect wheels.
- **DUAL TREAD WHEELS** - Cast iron wheels fit any tapered or flat beam flange within range of adjustment. Wheels include permanently lubricated, shielded ball bearings for long life and low maintenance.
- **OPTIONS** - Adapter lugs available for mounting EC and ELC hoists.
- **LIFETIME WARRANTY**



**1/4 - 5 Ton**  
Made in USA

**S P E C I F I C A T I O N S**

**ET-A Trolleys**

Capacity		Model Number	Standard Beam Height (In.)	I-Beam Width (In.)	Minimum Radius Curve (In.) †	Wheel Tread Diameter (In.)	Net Weight (Lbs.)
Lbs.	Tons						
500	1/4	<b>ET-05-A</b>	4-10	2.66-8.045	36	2 1/4	14
1000	1/2	<b>ET-10-A</b>	4-10	2.66-8.045	36	2 1/4	14
2000	1	<b>ET-20-A</b>	5-12	3.00-8.045	48	2 3/4	23
3000	1 1/2	<b>ET-30-A</b>	6-18	3.33-8.045	60	4 1/4	52
4000	2	<b>ET-40-A</b>	6-18	3.33-8.045	60	4 1/4	52
6000	3	<b>ET-60-A</b>	8-20	4.00-8.045	60	4 1/4	60
10000	5	<b>ET-100-A</b>	10-24	4.60-8.05	60	4 3/8	96

**NOTE:**  
For complete dimensional data, refer to Coffing Dimensional Databook.

† Minimum recommended radius for best wheel life.

**BC Beam Clamps**

**COFFING BC Models** - Ideal as an anchor for rigging operations (vertical or horizontal), as a hoisting anchor, or as a tool for positioning and holding beams for welding. The BC is recommended for commercial, construction, and industrial applications.

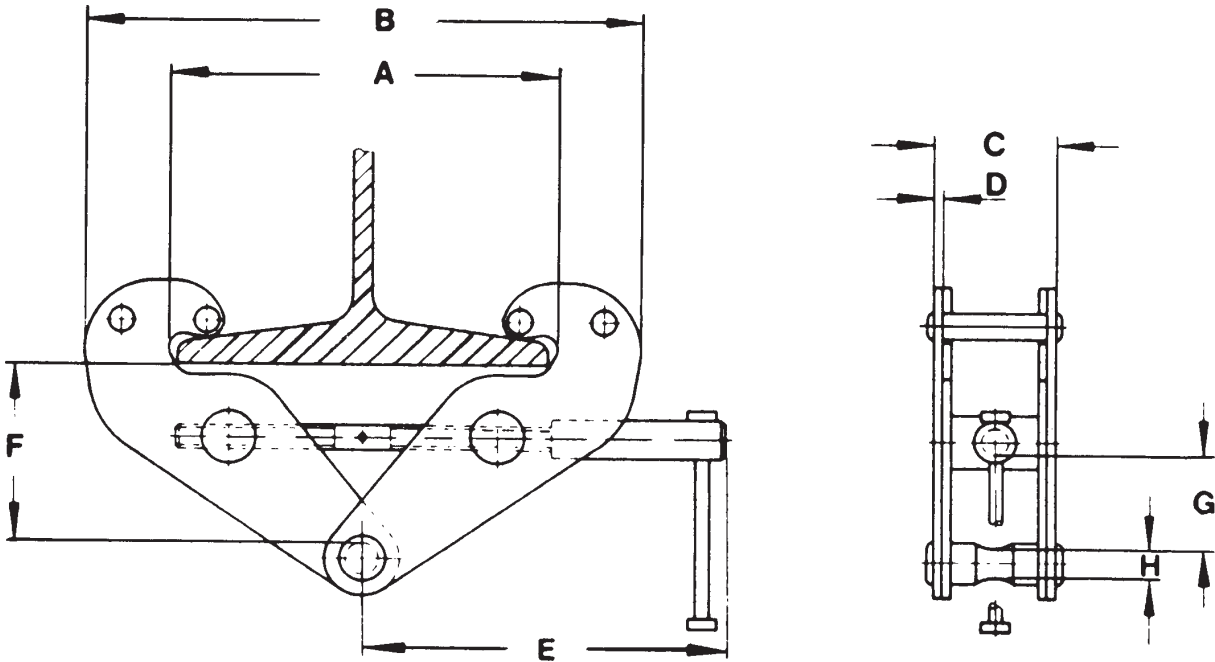
- **CAPACITIES** - Rated loads from 1 -10 Ton.
- **REDUCED FLANGE STRESS** - Special clamp jaw design distributes load away from flange edge.
- **ADJUSTABLE** - Threaded mechanism fits securely on a wide range of flange widths and beam sizes.
- **LOW HEADROOM** - Provided by built-in suspension bar.
- **LIFETIME WARRANTY**

Capacity		Model Number	Flange Width (In.)	Weight (Lbs.)
Lbs.	Tons			
2000	1	<b>BC-1</b>	3 - 9	9
4000	2	<b>BC-2</b>	3 - 9	13
6000	3	<b>BC-3</b>	3.2 - 12.6	18
10000	5	<b>BC-5</b>	3.6 - 12.2	22
20000	10	<b>BC-10</b>	3.6 - 12.6	32



**1 - 10 Ton**

**BC 1 - 10 Ton Beam Clamps**



**Specifications**

Model Number	Rated Load (Lbs.)	Flange Width (Ins.)	Net Weight (Lbs.)
BC-1	2000	3-9	8.8
BC-2	4000	3-9	13.2
BC-3	6000	3.2 - 12.6	17.6
BC-5	10000	3.6 - 12.2	22.0
BC-10	20000	3.6 - 12.6	32.0

**Dimensions**

Model Number	A Max.	B		C (In.)	D (In.)	E (In.)	F		G Min.	H
		Min.	Max.				Max.	Min.		
BC-1	10.6	6.9	14.4	2.9	0.2	8.4	5.4	2.9	1.2	.80
BC-2	10.6	7.3	15.0	2.9	0.2	8.4	5.4	2.9	1.2	.80
BC-3	11.6	8.7	16.7	4.0	0.3	10.0	6.3	4.1	2.4	.87
BC-5	12.6	9.8	18.7	4.0	0.3	10.0	6.3	3.5	1.8	1.10
BC-10	12.6	10.5	18.9	4.6	0.47	10.8	7.2	5.2	2.6	1.50

All dimensions are in inches unless otherwise indicated.